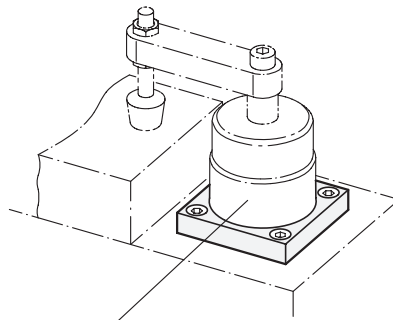


Bore for socket cap screw DIN 912



Swing clamp GN 876



Metric

Metric table

Dimensions in: millimeters - inches

For pneumatic swing clamp size	² d ₁ Thread	³ m	d ₂	h	Length l
25	M 40 x 1.5	37 1.46	5.4 .21	9 .35	50 1.97
32	M 50 x 1.5	45 1.77	6.6 .26	12 .47	60 2.36
40	M 55 x 1.5	50 1.97	6.6 .26	12 .47	65 2.56
50	M 65 x 1.5	58 2.28	9 .35	15 .59	75 2.95
63	M 80 x 1.5	70 2.76	9 .35	15 .59	88 3.46

Specification

- Steel, zinc plated, blue passivated finish **ST**
- RoHS compliant

Information

GN 876.1 threaded flanges are accessories designed for GN 876 pneumatic swing clamps. This makes it unnecessary to tap the mounting hole of the part.

see also...

- Pneumatic Swing Clamps GN 876 (Threaded Body Style)
- Slotted Spanner Nuts DIN 70852

<p>How to order</p> <p>¹ ² ³</p> <p>GN 876.1-ST-M55x1.5-50</p>	1 Material
	2 Thread d ₁
	3 Hole distance m