

2 Type
T4 With U-bolt latch, with catch
T Without U-bolt latch, with catch

Metric table

Dimensions in: millimeters - inches

Size	F _H Holding capacity	a	b ₁	b ₂	b ₃	b ₄	b ₅	d ₁	d ₂	h ₁ ≈	h ₂
160	1600 N 360 lbf	5 0.20	26 1.02	35 1.38	21 0.83	25.5 1.00	14 0.55	M 4	4.3 0.17	40 1.57	10 0.39
320	3200 N 719 lbf	8 0.31	36 1.42	44 1.73	32 1.26	37 1.46	22 0.87	M 6	6.5 0.26	57.5 2.26	15 0.59
700	7500 N 1686 lbf	13 0.51	52 2.05	54 2.13	38 1.50	48.5 1.91	26 1.02	M 8	8.5 0.33	82 3.23	23 0.91

Size	l ₁ ≈	l ₂ min.	m ₁	m ₂	m ₃	m ₄	m ₅	r ≈ at w ₂ = 0	s	w ₁ Stroke	w ₂ ≈ Adjustable range
160	104 4.09	4.5 0.18	22 0.87	6.5 0.26	13 0.51	6.5 0.26	14.3 0.56	52 2.05	2 0.08	32 1.26	10 0.39
320	159 6.26	6 0.24	25.5 1.00	8.5 0.33	19 0.75	10.5 0.41	20.5 0.81	78 3.07	3 0.12	53 2.09	21 0.83
700	225 8.86	8 0.31	36.5 1.44	10 0.39	32 1.26	13.5 0.53	27 1.06	102 4.02	3.5 0.14	64 2.52	25 0.98

Specification

- Parts in sheet metal
Case-hardened steel C10
Zinc plated, blue passivated finish
- U-bolt latch
Steel St. 37
Zinc plated, blue passivated finish
- All moving parts lubricated with special grease
- Hand grip
High quality, oil resistant red plastic
- **RoHS compliant**

Information

The stroke of the U-bolt latch of GN 851.2 horizontal latch type toggle clamps can be adjusted within its range.

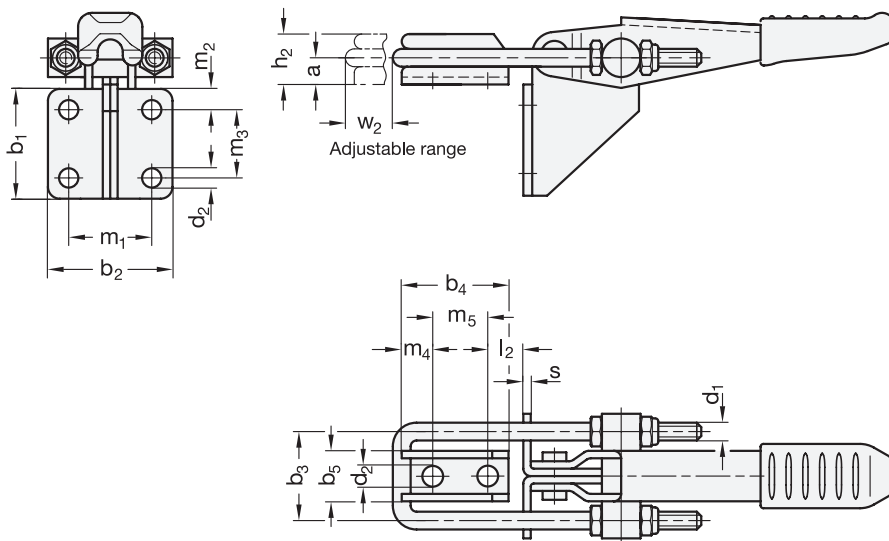
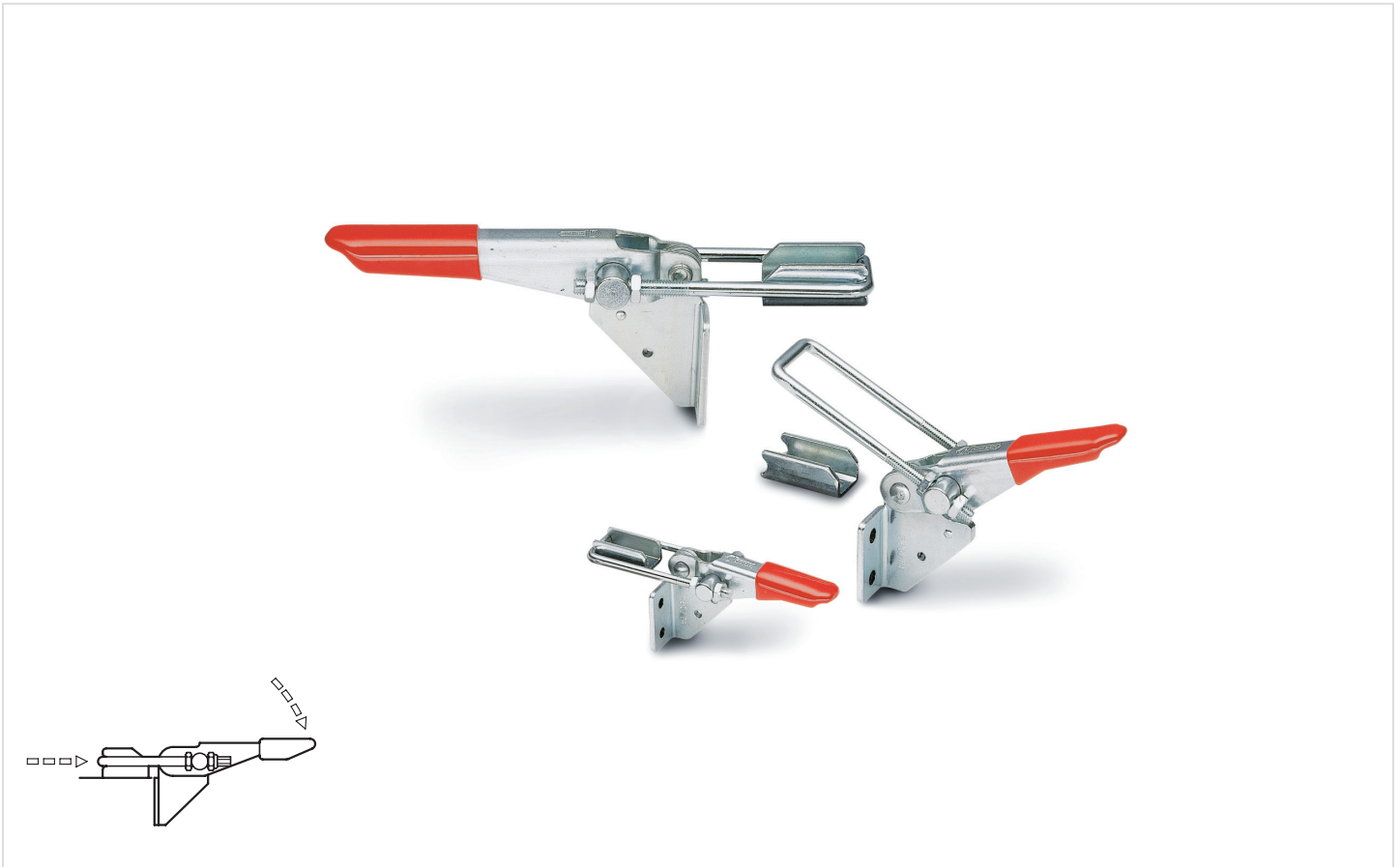
In the clamped position the U-bolt latch and the clamping arm are horizontal to the vertical mounting plane.

In addition to the standard lengths of the U-bolt latches shown in the table, a variety of other lengths are also available under the GN 951.1 series.

see also...

- *General Information on Toggle Clamps* → page 756
- *Square U-Bolts GN 951.1* → page 822

How to order GN851.2-160-T4	1	Size
	2	Type



1.1
1.2
1.3
1.4
2.1
2.2
2.3
2.4

