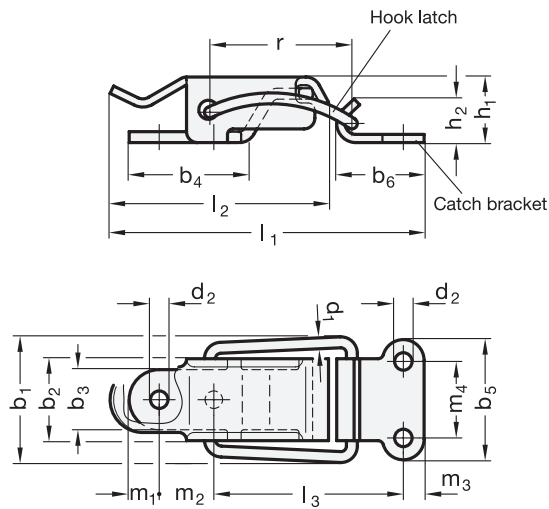


# GN 832.4

Steel / Stainless Steel

# Toggle Latches



SS Stainless Steel

## Metric table

Dimensions in: millimeters - inches

Size	F <sub>H</sub> Holding capacity	b <sub>1</sub>	b <sub>2</sub> +0.5	b <sub>3</sub>	b <sub>4</sub> ≈	b <sub>5</sub>	b <sub>6</sub> ≈	d <sub>1</sub>	d <sub>2</sub>	h <sub>1</sub>
55	550 N 124 lbf	23 0.91	15 0.59	11 0.43	25 0.98	22 0.87	16 0.63	2 0.08	3.2 0.13	12 0.47
Size	h <sub>2</sub>	l <sub>1</sub> ≈	l <sub>2</sub> -1	l <sub>3</sub> ≈	m <sub>1</sub>	m <sub>2</sub>	m <sub>3</sub>	m <sub>4</sub>	r ≈	
55	8 0.31	57 2.24	40 1.57	34.5 1.36	5.5 0.22	10 0.39	3.8 0.15	14 0.55	26 1.02	

## Specification

- Steel, zinc plated, blue passivated finish **ST**
- Stainless steel AISI 304 **NI**
- [Stainless Steel Characteristics](#) → page 2143
- [RoHS compliant](#)

## Information

GN 832.4 toggle latches are used for the secure holding of flaps, container lids, etc. They lock securely over the center and are thus vibration proof.

The components to be linked are held in position by the elasticity of the hook latch.

The load specified in the table is simply a guideline value for the nominal static pulling force the latch can withstand. The holding capacity can be adversely affected by the conditions under which the latch is used, such as vibration or shock loads.

The catch bracket is included.

### How to order

**GN832.4-55-ST**

- 1 Size
- 2 Material