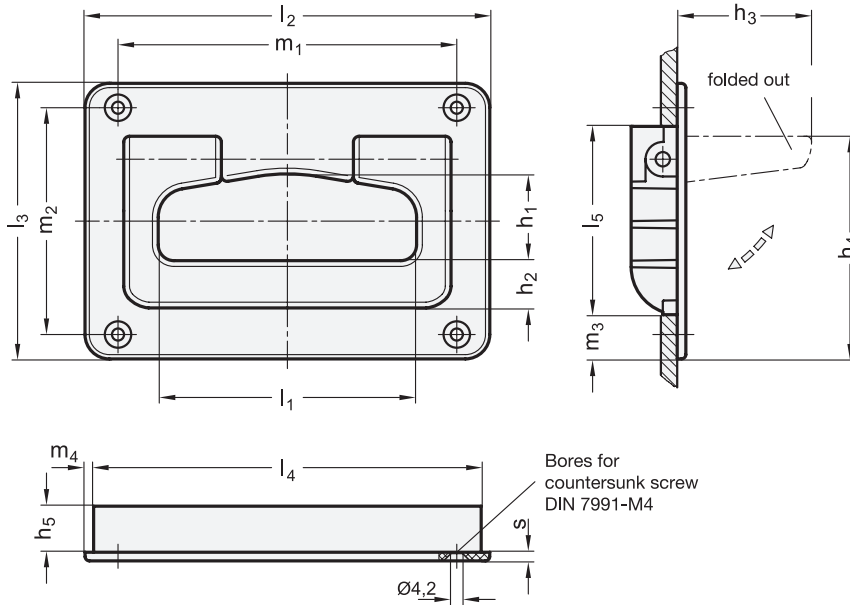


# EN 825.2 Folding Handles with Recessed Tray

Technopolymer Plastic, with Spring-Loaded Return



ELESA original design MPR.



## Metric table

Dimensions in: millimeters - inches

$l_1$	$h_1$	$h_2$	$h_3$	$h_4$	$h_5$	$l_2$	$l_3$	$l_4$	$l_5$	$m_1 \pm 0.1$	$m_2 \pm 0.1$	$m_3$	$m_4$	$s$
90	29	16.5	47	77	16	141	96	135	65	118	79	16	3	3
3.54	1.14	0.65	1.85	3.03	0.63	5.55	3.78	5.31	2.56	4.65	3.11	0.63	0.12	0.12

## Specification

- Plastic  
Technopolymer (Polyamide PA)  
- Glass fiber reinforced  
- Temperature resistant up to 212 °F (100 °C)
- Color (matte finish):  
Black, RAL 9005  SW  
Gray, RAL 7040  GR  
White, RAL 9002  WS
- Pin  
Stainless steel  
European Standard No. 1.4305 (AISI 303)
- Return spring  
Stainless steel  
European Standard No. 1.4319 (AISI 302)
- RoHS compliant

## Information

EN 825.2 folding handles with recessed tray are used if the handle is to protrude by a maximum of 3 mm when folded down. After releasing the handle, it returns to its starting position by spring-loaded return.

see also...

- *Folding Handles with Recessed Tray GN 425.8 (with Locking or Spring-Loaded Return)*
- *Folding Handles EN 825.1 (Technopolymer Plastic, with Spring-Loaded Return)*

## On request

- Various metric size fasteners and kit packaging

How to order

EN 825.2-90-SW

1 Length  $l_1$

2 Color



**Installation dimensions**

