

# GN 820.4

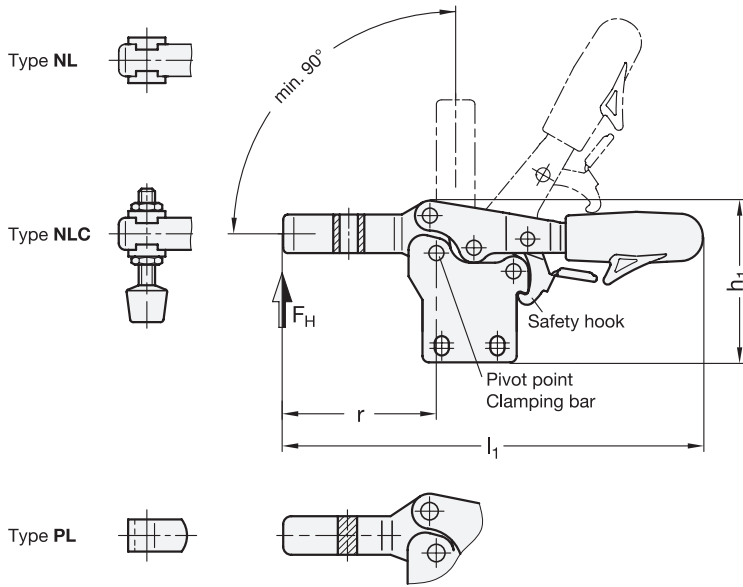
Steel / Stainless Steel

# Horizontal Acting Toggle Clamps

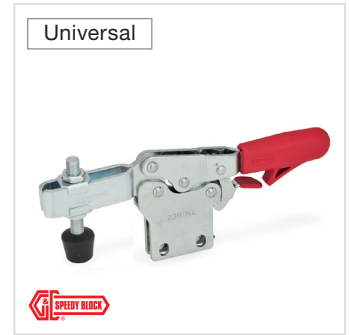
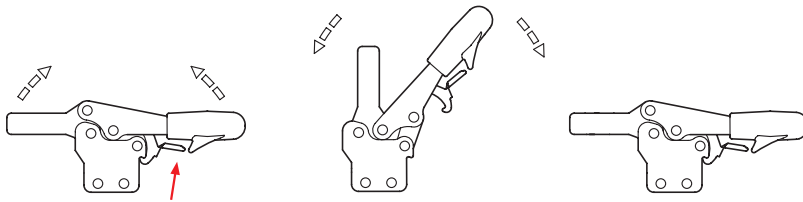
with Safety Hook, with Vertical Mounting Base



**JW WINCO**  
A Ganter Company



Operating principle



SS Stainless Steel

### 2 Type

- NL** U-bar version, with two flanged washers
- NLC** U-bar version, with two flanged washers and GN 708.1 spindle assembly
- PL** Solid bar version, with weldable clasp

## Specification

- Toggle clamp
  - Case-hardened steel C10
  - Zinc plated, blue passivated finish
  - Tempered bearing pins
  - Case-hardened bearing rivets (for size 355 and up)
- Stainless steel AISI 304 **NI**
- All moving parts lubricated with special grease
- Hand grip
  - High quality, oil resistant red plastic
- Spindle assembly GN 708.1, Type A
  - page 858
  - Steel, zinc plated, blue passivated finish / Stainless steel AISI 304
  - Rubber tip 85 shore A
- [Stainless Steel Characteristics](#) → page 2143
- [RoHS compliant](#)

## Information

GN 820.4 horizontal acting toggle clamps have a safety function whereby, during closing, a spring loaded safety hook latch ensures a secure locking connection. It prevents the inadvertent unlocking of the clamp due to vibrations or an accidental attempt of loosening / opening of the clamp. To open and release the clamp, pull up on the finger grip to disengage the safety hook latch mechanism (one hand operation).

They work according to the toggle principle: lever and clamping bar move in the opposite direction. They require less space for the clamping action.

Horizontal acting toggle clamps in the U-bar version with two flanged washers (Type NL) can accommodate an application specific clamping screw. A spindle assembly with neoprene rubber tip is also included for Type NLC.

Type PL version can either be utilized by welding the clasp which can then accommodate an application specific hold-down fastener component, or by utilizing the bar in conjunction with the GN 809 clamp mounts to hold the workpiece in place.

see also...

- [General Information on Toggle Clamps](#) → page 756

## Accessory

- Spindle assemblies → [starting from page 856](#)
- Clamp mounts GN 801 (for type NL) → [www.jwwinco.com](#)
- Clamp mounts GN 809 (for type PL) → [www.jwwinco.com](#)
- Clamping arm extenders GN 801.1 (for type NL) → page 860
- Clamping arm extenders GN 801.2 (for type NL) → page 861
- Clamping arm extenders GN 809.1 (for type PL) → page 862

How to order (Steel)	
1	Size
2	Type

**GN820.4-455-NL**

How to order (Stainless steel)	
1	Size
2	Type
3	Material

**GN820.4-130-PL-NI**

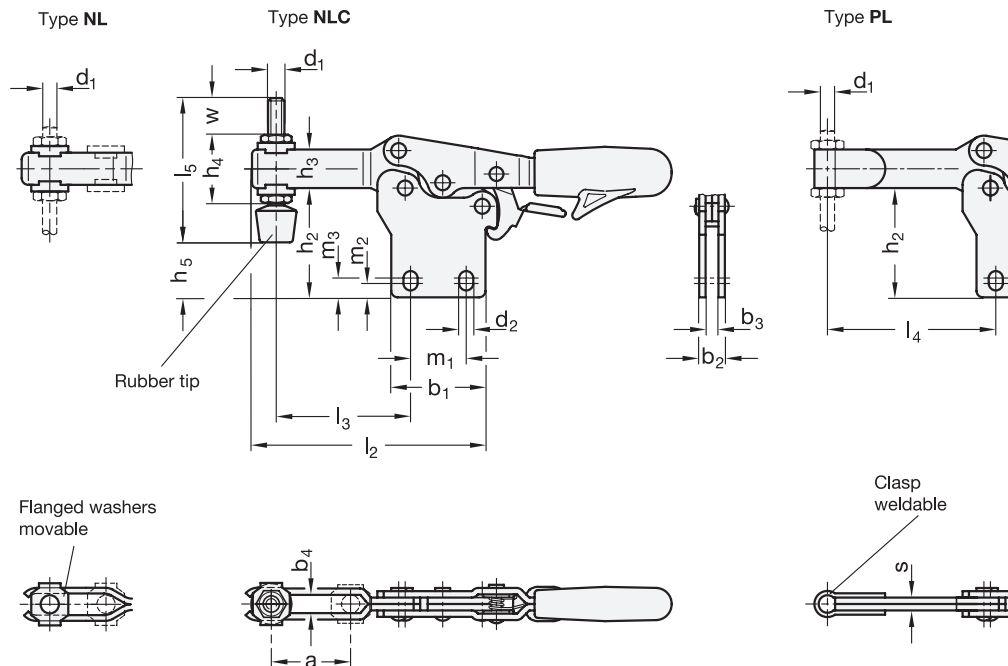
**Universal table**



Dimensions in: millimeters - inches

Size		F <sub>H</sub>	a ≈	b <sub>1</sub>	b <sub>2</sub>	b <sub>3</sub>	b <sub>4</sub>	d <sub>1</sub>	d <sub>2</sub>	h <sub>1</sub> ≈	h <sub>2</sub>	h <sub>3</sub>
Steel	Stainless steel	Holding capacity						Thread				
75	75	900 N 202 lbf	20 0.79	28 1.10	8 0.31	4 0.16	5.3 0.21	M 5	4.5 0.18	45.5 1.79	29 1.14	11 0.43
130	130	1000 N 225 lbf	32 1.26	36 1.42	10 0.39	5 0.20	6.3 0.25	M 6	5.6 0.22	64.5 2.54	44 1.73	16 0.63
230	230	1700 N 382 lbf	37 1.46	44 1.73	12 0.47	6 0.24	8.5 0.33	M 8	6.6 0.26	75.5 2.97	51 2.01	18 0.71
355	-	1800 N 405 lbf	58 2.28	60 2.36	14 0.55	7 0.28	10.5 0.41	M 10	8.6 0.34	102 4.02	69.5 2.74	22 0.87
455	-	3200 N 719 lbf	65 2.56	70 2.76	18 0.71	10 0.39	12.5 0.49	M 12	8.7 0.34	120 4.72	80.5 3.17	26 1.02

Size		h <sub>4</sub>	h <sub>5</sub> max.	l <sub>1</sub> ≈	l <sub>2</sub> ≈	l <sub>3</sub> ≈	l <sub>4</sub> max.	l <sub>5</sub>	m <sub>1</sub>	m <sub>2</sub>	m <sub>3</sub>	r ≈	s	w
Steel	Stainless steel													Adjustable range
75	75	19 0.75	14 0.55	118 4.65	67 2.64	40 1.57	49.5 1.95	45 1.77	13.5 0.53	3.5 0.14	5 0.20	42.5 1.67	4 0.16	15 0.59
130	130	25.5 1.00	27.5 1.08	172 6.77	92.5 3.64	54 2.13	64 2.52	55 2.17	26 1.02	5.8 0.23	8.8 0.35	62.5 2.46	5 0.20	17.5 0.69
230	230	30 1.18	27 1.06	196 7.72	109 4.29	64.5 2.54	79 3.11	68 2.68	26 1.02	6.5 0.26	9 0.35	71.5 2.81	6 0.24	20 0.79
355	-	37 1.46	41 1.61	270 10.63	160 6.30	98.5 3.88	116 4.57	77 3.03	41 1.61	7.5 0.30	9.6 0.38	109 4.29	7 0.28	19 0.75
455	-	43 1.69	48 1.89	305 12.01	184 7.24	115.5 4.55	136 5.35	100 3.94	41.5 1.63	11 0.43	12.5 0.49	126 4.96	10 0.39	33 1.30



1.1  
1.2  
1.3  
1.4  
2.1  
2.2  
2.3  
2.4

