

# GN 820.2

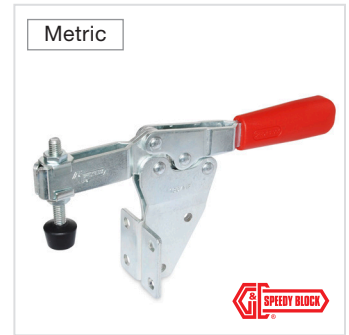
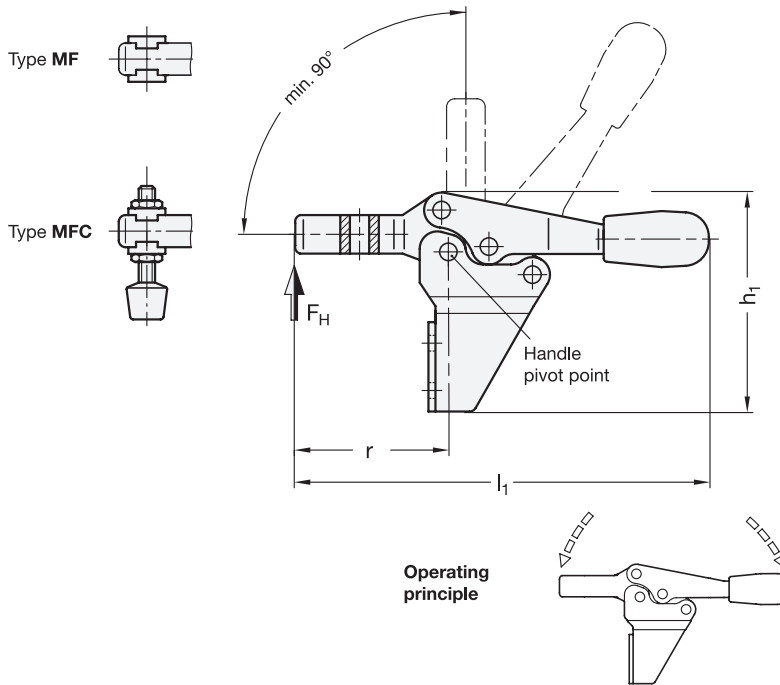
Steel / Stainless Steel

# Horizontal Acting Toggle Clamps

with Vertical Mounting Base



**JW WINCO**  
A Ganter Company



- 2** Type
- MF** U bar version, with two flanged washers
  - MFC** U-bar version, with two flanged washers and GN 708.1 spindle assembly

## Specification

- Toggle clamp  
Steel —
- Case hardened Steel C10
- Zinc plated, blue passivated finish
- Tempered bearing pins
- Case hardened bearing rivets (for size 355 and up)
- Stainless steel **NI**  
European Standard No. 1.4301 (AISI 304)
- All moving parts lubricated with special grease
- Hand grip  
High quality, oil resistant, red plastic
- Neoprene spindle assembly (Type MFC)
  - Threaded stud  
Steel, zinc plated, blue passivated finish / Stainless steel  
European Standard No. 1.4301 (AISI 304)
  - Spindle tip  
Black neoprene rubber (CR), 85° shore A, vulcanized
- *Stainless Steel Characteristics*
- **RoHS compliant**

## Information

GN 820.2 horizontal acting toggle clamps work according to the toggle principle: lever and clamping bar move in the opposite direction.

They require less space for the clamping action. In the clamped position the operating lever is in its horizontal position. The 90° rotated mounting surface allows a space-saving installation in addition to the clamping point.

Horizontal acting toggle clamps in the U-bar version with two flanged washers (Type MF) can accommodate an application specific clamping screw. A spindle assembly with neoprene rubber tip is also included for Type MFC.

see also...

- *General Information for Toggle Clamps*

## Accessory

- Spindle assemblies
- GN 801 clamp mounts for toggle clamps (for Type MF)

How to order (Steel) <b>GN 820.2-130-MF</b>	<b>1</b> Size
	<b>2</b> Type
How to order (Stainless steel) <b>GN GN 820.2-230-MF-NI</b>	<b>1</b> Size
	<b>2</b> Type
	<b>3</b> Material

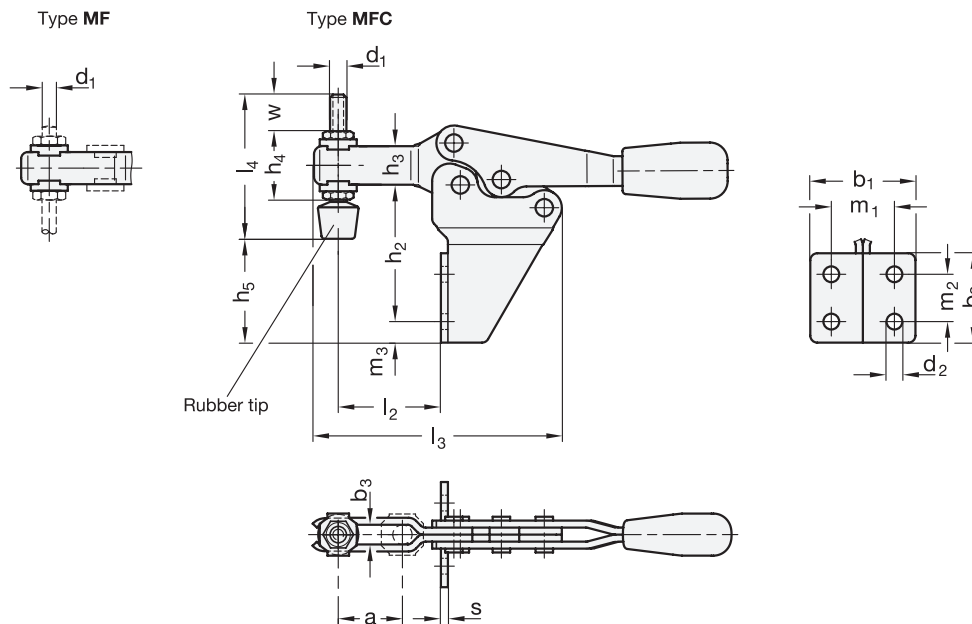
**Metric table**



Dimensions in: millimeters - inches

Size	F <sub>H</sub> Holding capacity	a ≈	b <sub>1</sub>	b <sub>2</sub>	b <sub>3</sub>	d <sub>1</sub> Thread	d <sub>2</sub>	h <sub>1</sub>	h <sub>2</sub>	h <sub>3</sub>	h <sub>4</sub>	h <sub>5</sub> max.
75	900 N 202 lbf	20 .79	30 1.18	25.5 1.00	5.5 .22	M 5	4.5 .18	62 2.44	39 1.54	11 .43	19 .75	30 1.18
130	1000 N 225 lbf	32 1.26	39 1.54	35 1.38	6.5 .26	M 6	5.5 .22	85 3.35	58.5 2.30	16 .63	25.5 1.00	48.5 1.91
230	1700 N 382 lbf	37 1.46	43 1.69	40 1.57	8.5 .33	M 8	6.5 .26	102 4.02	69 2.72	18 .71	30 1.18	53 2.09
355	1800 N 405 lbf	58 2.28	52 2.05	52 2.05	10.5 .41	M 10	8.5 .33	135 5.31	92 3.62	22 .87	37 1.46	75.5 2.97

Size	l <sub>1</sub>	l <sub>2</sub>	l <sub>3</sub>	l <sub>4</sub>	m <sub>1</sub>	m <sub>2</sub>	m <sub>3</sub>	r	s	w Adjustable range
75	118 4.65	30 1.18	72 2.83	45 1.77	18 .71	13.5 .53	6 .24	42.5 1.67	2 .08	15 .59
130	170 6.69	45 1.77	95 3.74	55 2.17	26 1.02	22 .87	6.5 .26	61 2.40	2.5 .10	17.5 .69
230	195 7.68	52 2.05	113 4.45	68 2.68	28.5 1.12	24 .94	8 .31	70 2.76	3 .12	20 .79
355	270 10.63	85 3.35	166 6.54	77 3.03	32 1.26	32 1.26	10 .39	108.5 4.27	3.5 .14	19 .75



1.1  
1.2  
1.3  
1.4  
2.1  
2.2  
2.3  
2.4

