

GN 741

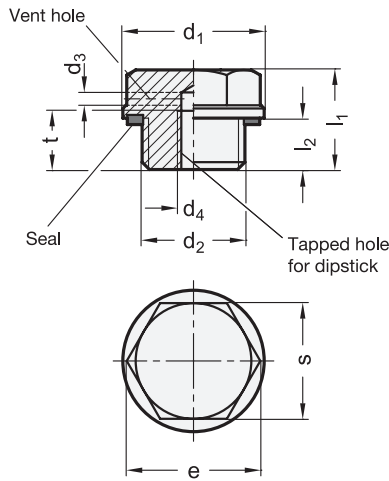
Resistant up to 212 °F

GN 742

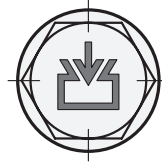
Resistant up to 356 °F

Fluid Fill / Drain Plugs

Aluminum, with or without Symbol



Fill symbol



Drain symbol



Metric



3 Type

- OS** Without symbol, plain finish
- OSS** Without symbol, black anodized finish
- ES** With fill symbol, plain finish
- ESS** With fill symbol, black anodized finish
- AS** With drain symbol, plain finish
- ASS** With drain symbol, black anodized finish

4 Identification no.

- 1 Without vent hole
- 2 With vent hole

Metric table

Dimensions in: millimeters - inches

d ₁	d ₂		d ₃	d ₄	e ≈	l ₁	l ₂	s	t
	Pipe thread	Fine thread							
19 0.75	G 1/4	M 14 x 1.5	2 0.08	M 5	17.3 0.68	15.5 0.61	8 0.31	15 0.59	8 0.31
22 0.87	G 3/8	M 16 x 1.5	2 0.08	M 5	20.8 0.82	15.5 0.61	8 0.31	18 0.71	8 0.31
26 1.02	G 1/2	M 20 x 1.5	2 0.08	M 5	24.3 0.96	16 0.63	8.5 0.33	21 0.83	8 0.31
32 1.26	G 3/4	M 26 x 1.5	2 0.08	M 5	31.2 1.23	17 0.67	9 0.35	27 1.06	8 0.31
40 1.57	G 1	M 33 x 1.5	2 0.08	M 5	37 1.46	19.5 0.77	11 0.43	32 1.26	8 0.31
50 1.97	G 1 1/4	M 40 x 1.5	2 0.08	M 5	47.3 1.86	21 0.83	12 0.47	41 1.61	8 0.31
60 2.36	G 1 1/2	-	2 0.08	M 5	57.7 2.27	22 0.87	13 0.51	50 1.97	8 0.31

Specification

- Body
Aluminum, fine turned
 - Type OS, ES, AS: Plain finish
 - Type OSS, ESS, ASS: Black anodized finish
 - Laser engraved symbols
- **GN 741**
 - Temperature resistant up to 212 °F (100 °C)
 - Seal
Acrylonitrile butadiene rubber (NBR)
Black
- **GN 742**
 - Temperature resistant up to 356 °F (180 °C)
 - Seal
Fluorine rubber (FPM / FKM)
Brown
- [Elastomer Characteristics](#) → page 2135
- [RoHS compliant](#)

Information

The outer diameter d₁ of GN 741 and GN 742 fluid fill / drain plugs is matched to screw-in holes for pipe fittings according to DIN 3852.

The seal is embedded in a radial recess, and thus cannot be lost or squeezed out during tightening.

On request

- With dipstick

How to order (Resistant up to 212 °F)

GN 741-26-G1/2-OSS-1

- | | |
|---|--|
| 1 | Diameter d ₁ |
| 2 | Pipe thread d ₂ (Fine thread d ₂) |
| 3 | Type |
| 4 | Identification no. |

How to order (Resistant up to 356 °F)

GN 742-32-M26X1.5-ES-2

- | | |
|---|--|
| 1 | Diameter d ₁ |
| 2 | Fine thread d ₂ (Pipe thread d ₂) |
| 3 | Type |
| 4 | Identification no. |