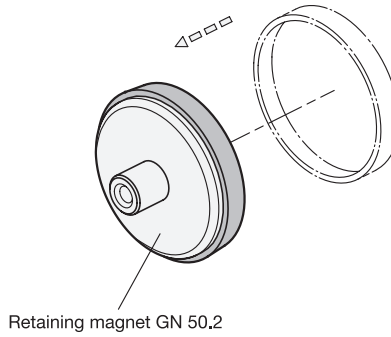


Application example



Metric table

2

Dimensions in: millimeters - inches

d ₁	d ₂	h	s
16 0.63	17 0.67	3 0.12	0.5 0.02
20 0.79	21 0.83	5 0.20	0.5 0.02
25 0.98	26 1.02	5 0.20	0.5 0.02
32 1.26	33 1.30	5 0.20	0.5 0.02
40 1.57	41 1.61	6 0.24	0.5 0.02
50 1.97	51 2.01	6 0.24	0.5 0.02
63 2.48	64 2.52	6 0.24	0.5 0.02
80 3.15	85 3.35	11 0.43	0.5 0.02

Specification

1

3

- Acrylonitrile butadiene rubber **NBR**
- Black ● **SW**
- 75±10 shore A
- Temperature resistant from -22 °F to +212 °F (-30 °C to 100 °C)
- *Elastomer Characteristics* → page 2135
- **RoHS compliant**

Information

GN 70.2 rubber caps can be used with all non-rubberized retaining magnets. The inner diameters d₁ are matched to the respective outer diameters of the magnets. The specified nominal magnetic forces of the magnets are reduced due to the 0.5 mm wall thickness of the cap.

Rubber caps protect surfaces from being damaged by the magnet. They also prevent hard, loud contacts, and the increased coefficient of friction reduces sideways slippage.

The rubber caps are easily mounted on the magnet by hand and can be removed again if required.

see also...

- *More Information on Retaining Magnets* → page 1990
- *Magnet Holding Disks GN 70* → page 2029
- *Self-Adhesive Disks GN 70.1* → page 2030

How to order

GN 70.2-NBR-63-SW

1	Material
2	Diameter d ₁
3	Color

3.1
3.2
3.3
3.4
3.5
3.6
3.7
3.8
3.9
3.10