

# GN 706.4

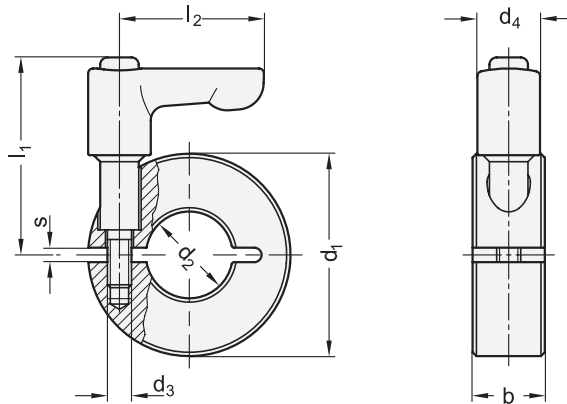
Steel / Stainless Steel / Aluminum

# Semi-Split Shaft Collars

with Adjustable Lever



**JW WINCO®**  
A Ganter Company



**SS** Stainless Steel

## Metric table

Dimensions in: millimeters - inches

<b>1</b> d <sub>1</sub>	<b>2</b> d <sub>2</sub> H10 Bore Recommended shaft tolerance h11		b ±0.2	d <sub>3</sub> Thread	d <sub>4</sub>	l <sub>1</sub>	l <sub>2</sub>	s
32 1.26	B 14	-	11 0.43	M 4	13 0.51	37 1.46	30 1.18	2.1 0.08
36 1.42	B 15	B 16	13 0.51	M 5	13 0.51	38.5 1.52	30 1.18	2.1 0.08
42 1.65	B 18	B 20	15 0.59	M 5	13 0.51	41 1.61	30 1.18	3 0.12
48 1.89	B 22	B 25	15 0.59	M 5	13 0.51	43 1.69	45 1.77	3 0.12
55 2.17	B 28	B 30	15 0.59	M 6	13 0.51	45 1.77	45 1.77	3 0.12
60 2.36	B 32	B 35	15 0.59	M 6	13 0.51	46.5 1.83	45 1.77	4 0.16
65 2.56	B 40	-	15 0.59	M 6	13 0.51	47.5 1.87	45 1.77	4 0.16

## Specification

- Body
  - Sintered steel (Distaloy AB) **ST**
  - Black steam oxidized
  - Sintered stainless steel **NI**
  - European Standard No. 1.4404 (AISI 316 LHC)
  - Aluminum, ground **AL**
- Adjustable lever
  - Lever body
  - Zinc die-cast, powder coated
  - Black, RAL 9005, textured finish
  - Insert / retaining screw
  - Stainless steel
  - European Standard No. 1.4305 (AISI 303)

• RoHS compliant

## Information

GN 706.4 semi-split shaft collars are typically used as an end stop, and can easily be assembled with a high clamping force via the adjustable lever without causing damage to the surface of the shaft or axle.

Especially in applications that often require new positions of the shaft collar, this design offers great advantages without a need for additional tools.

For sizes d<sub>1</sub> = 32 and 36 mm, d<sub>3</sub> is a tapped through hole; for sizes d<sub>1</sub> = 42 mm and larger, d<sub>3</sub> is a tapped blind hole.

see also...

- [List of Shaft Collar Types](#)
- [Semi-Split Shaft Collars GN 706.2 \(with Socket Cap Screw\)](#)

### How to order

**GN 706.4-36-B16-AL**

- 1** Outer diameter d<sub>1</sub>
- 2** Bore d<sub>2</sub>
- 3** Material