

- 3 Type**
- A** Mounting from the back (tapped blind hole)
  - B** Mounting from the operator's side

**Metric table**

Dimensions in: millimeters - inches

<b>1</b> $d_1$	<b>2</b> $l_1 \pm 0.5$	$b_1$	$b_2$	$d_2$ Thread	$h \approx$	$l_2$	$l_3$ max.	$t$ min.
28 1.10	200 250 300 400 500 600 7.87 9.84 11.81 15.75 19.69 23.62	32 1.26	20 0.79	M 8	60 2.36	20 0.79	11 0.43	15 0.59

**Specification**

- Tube / handle legs  
Aluminum
  - Powder coated
  - Black, RAL 9005, textured finish **● SW**
  - Anodized finish, natural color **● EL**
- Covers  
Plastic  
Technopolymer (Polyamide PA)  
Black, matte finish
- Socket cap screws DIN 912-M8x75  
Hex nuts ISO 4032-M8  
Washers DIN 125  
Steel, zinc plated
- [Load Rating Information](#) → page 2068
- [Plastic Characteristics](#) → page 2135
- [RoHS compliant](#)

**Information**

GN 669 system handles offer the advantage of high stability when the use of long handles is required. Handles can also be supplied as hand railings.

For very long lengths between mounting points, a special stability mounting leg with identical securing methods and plastic covers can be supplied for certain minimum quantities.

[see also...](#)

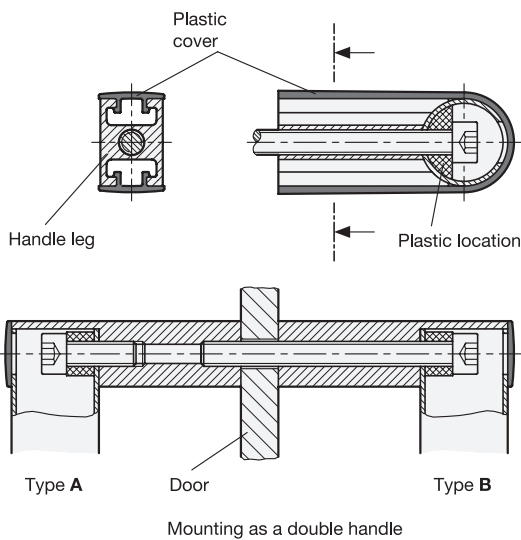
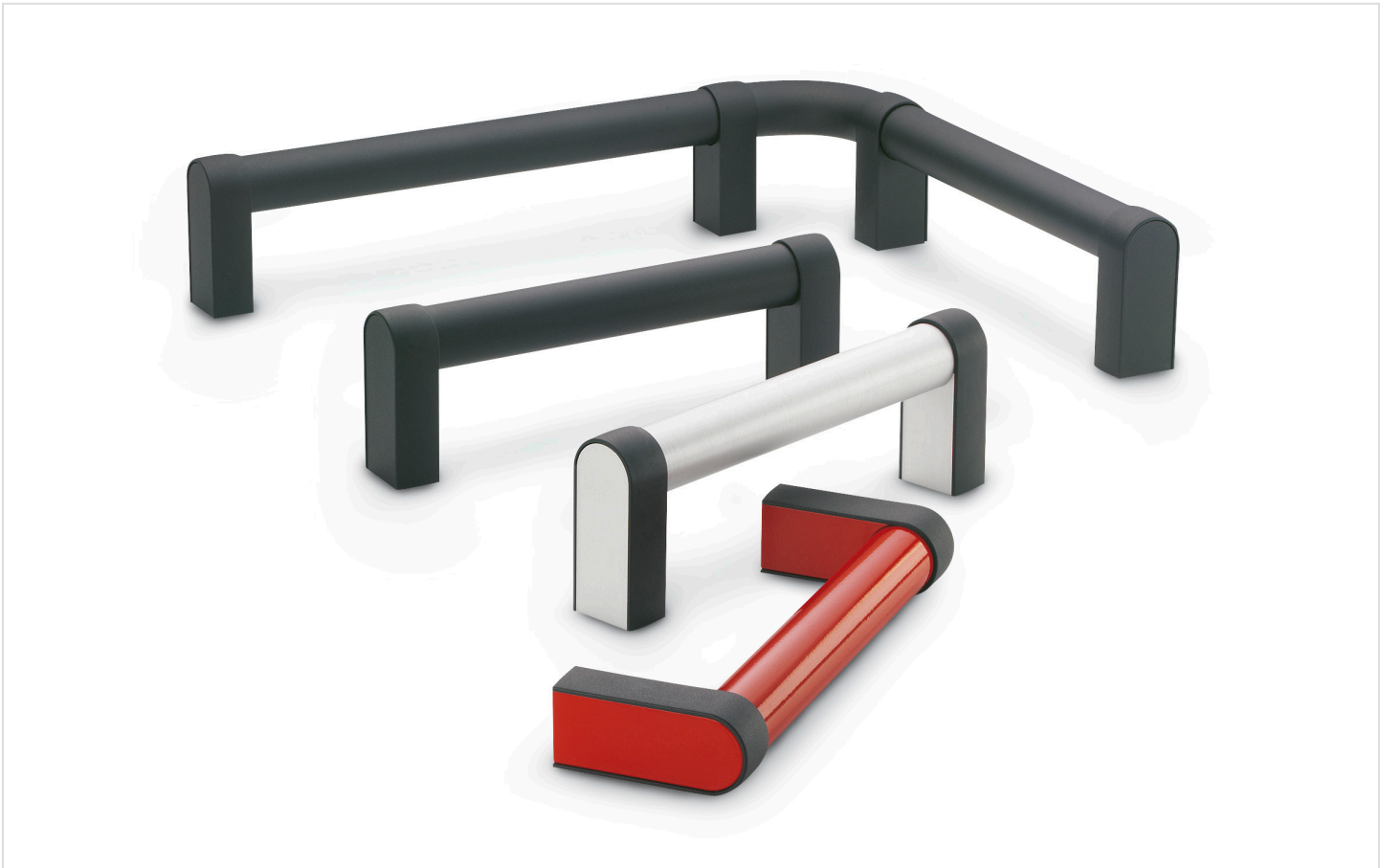
- [Tubular Handles GN 333.1](#) → page 164

**On request**

- Various metric size fasteners and kit packaging

How to order	
<b>1</b> Handle diameter $d_1$	
<b>2</b> Length $l_1$	
<b>3</b> Type	
<b>4</b> Finish	

**GN 669-28-400-A-EL**



**Mounting information**

When mounting from the operator's side (type B) the plastic covers are supplied loose. Once the handle has been mounted the covers are pushed over the end of the handle tube and the foot until they snap into the end of the groove at the tube end.

Both mounting methods (type A and B) allow the mounting of a pair of handles in the opposite position. This method could be used on doors (double handle). Depending on the door thickness longer socket cap screws DIN 912 might be required.

1.1  
1.2  
1.3  
1.4  
2.1  
2.2  
2.3  
2.4

