

SS Stainless Steel

4 Type

- K** With plastic cover
- E** With stainless steel cover

Specification

- Tube Ø 30x1.5 mm
Stainless steel
European Standard No. 1.4301 (AISI 304),
Ground, matte glossy finish
- Handle legs
Stainless steel
European Standard No. 1.4301 (AISI 304),
Ground, matte glossy finish
- Mounting stud (GN 666.7)
with threaded pin DIN 913-M8
Stainless steel
European Standard No. 1.4301 (AISI 304)
- Set screw DIN 914-M5
Stainless steel
European Standard No. 1.4301 (AISI 304)
- Covers
 - Type K
Plastic (Polyamide PA), black, matte finish
 - Type E
Stainless steel
European Standard No. 1.4301 (AISI 304)
- RoHS compliant

Information

To mount GN 666.7 tubular grip handles (mounting from the operator's side), the stud is first screwed in from the machine side with the DIN 913-M8x25 threaded pin (included), and then the handle is pushed on and secured with the DIN 914-M5 set screw.

GN 666.5 and GN 666.7 tubular grip handles, type E are completely made of stainless steel, making them suitable for use in hygienic environments.

see also...

- Cabinet "U" Handles GN 426.5 (Stainless Steel)
- Tubular Handles GN 333.5 (Stainless Steel)

On request

- Special lengths
- Various inch and metric size fasteners and kit packaging

How to order (Inch, with tapped holes)	
1	Handle diameter d_1
2	Thread d_2
3	Length l_1
4	Type

1 2 3 4
GN 666.5-1.18-5/16X18-8.00-E

How to order (Metric, with threaded studs)	
1	Handle diameter d_1
2	Thread d_3
3	Length l_1
4	Type

1 2 3 4
GN 666.7-30-M8-400-K

Inch table

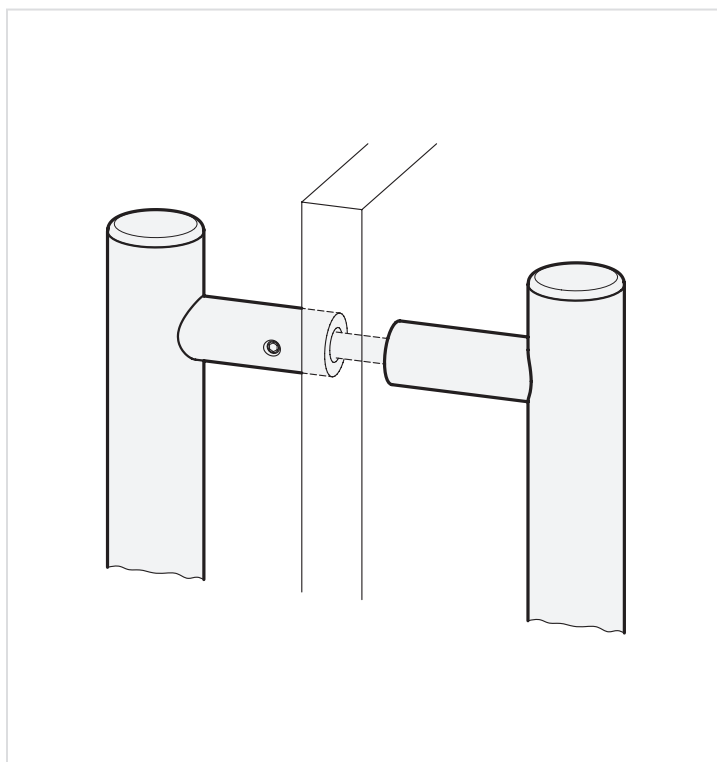
Dimensions in: inches - millimeters

¹ d ₁	² d ₂ GN 666.5	³ l ₁ ±0.02	d ₄	h	l ₃	t min.
1.18 30.0	5/16 x 18	8.00 203.2	.79 20.1	2.36 59.9	10.55 268.0	.59 15.0
1.18 30.0	5/16 x 18	10.00 254.0	.79 20.1	2.36 59.9	12.56 319.0	.59 15.0
1.18 30.0	5/16 x 18	12.00 304.8	.79 20.1	2.36 59.9	14.57 370.1	.59 15.0
1.18 30.0	5/16 x 18	16.00 406.4	.79 20.1	2.36 59.9	18.54 470.9	.59 15.0
1.18 30.0	5/16 x 18	20.00 508.0	.79 20.1	2.36 59.9	22.56 573.0	.59 15.0
1.18 30.0	5/16 x 18	24.00 609.6	.79 20.1	2.36 59.9	26.57 674.9	.59 15.0

Metric table

Dimensions in: millimeters - inches

¹ d ₁	² d ₂ GN 666.5		² d ₃ GN 666.7	³ l ₁ ±0.5	³ l ₂ ±0.3 Threaded bore for mounting stud of GN 666.7	d ₄	h	l ₃	l ₄	t min.
30 1.18	M 6	M 8	M 8	200 7.87	200 7.87	20 .79	60 2.36	265 10.43	15 .59	15 .59
30 1.18	M 6	M 8	M 8	250 9.84	250 9.84	20 .79	60 2.36	315 12.40	15 .59	15 .59
30 1.18	M 6	M 8	M 8	300 11.81	300 11.81	20 .79	60 2.36	365 14.37	15 .59	15 .59
30 1.18	M 6	M 8	M 8	400 15.75	400 15.75	20 .79	60 2.36	465 18.31	15 .59	15 .59
30 1.18	M 6	M 8	M 8	500 19.69	500 19.69	20 .79	60 2.36	565 22.24	15 .59	15 .59
30 1.18	M 6	M 8	M 8	600 23.62	600 23.62	20 .79	60 2.36	665 26.18	15 .59	15 .59



Application example

GN 666.5 and GN 666.7 tubular grip handles allow the mounting of a pair of handles in the opposite position. This method could be used on doors (double handle).

Generally a modification of the thread length l₄ is required for this. The included DIN 913-M8x25-A2 threaded pin of the mounting stud may need to be replaced by a longer threaded pin in order for the handles to be mounted properly.

Handles with a modified thread length l₄ are available upon request.

