

GN 653.10

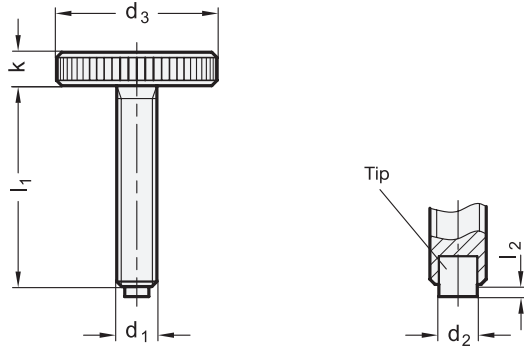
Steel / Stainless Steel

Flat Knurled Thumb Screws

with Brass or Plastic Tip



JW WINCO
A Ganter Company



SS Stainless Steel

Metric table

Dimensions in: millimeters - inches

d ₁ Thread	l ₁ -1					l ₂		d ₂		d ₃	k
	12	16	20	25	30	MS tip	KU tip	MS tip	KU tip		
M 5	12 0.47	16 0.63	20 0.79	25 0.98	-	0.5 0.02	1 0.04	3 0.12	3 0.12	20 0.79	4 0.16
M 6	12 0.47	16 0.63	20 0.79	25 0.98	30 1.18	1 0.04	1.3 0.05	4 0.16	3.5 0.14	24 0.94	5 0.20
M 8	16 0.63	20 0.79	25 0.98	30 1.18	40 1.57	1.5 0.06	1.6 0.06	6 0.24	5 0.20	30 1.18	6 0.24

Specification

- Steel **ST**
 - Property class 5
 - Blackened finish
 - Visible face fine turned
- Stainless steel AISI 303 **NI**
 - Matte shot-blasted finish
- Tip **MS** / **KU**
 - Brass
 - Plastic (Polyacetal POM)
- *Strength Values of Screws* → page 2127
- *Stainless Steel Characteristics* → page 2143
- **RoHS compliant**

Information

GN 653.10 flat knurled thumb screws with brass or plastic tip are used in applications where marks and damages on the workpiece are unacceptable.

The head dimensions comply with DIN 653 flat knurled thumb screws.

see also...

- *Hollow Knurled Screws GN 421.10 (with Brass / Plastic Tip)* → www.jwwinco.com
- *Star Knobs GN 6336.10 (with Brass / Plastic Tip)* → page 582

How to order (Steel)	1 Thread d ₁
GN 653.10-M8-16-ST-MS	2 Length l ₁
	3 Screw material
	4 Tip material
How to order (Stainless steel)	1 Thread d ₁
GN 653.10-M6-25-NI-KU	2 Length l ₁
	3 Screw material
	4 Tip material