

# GN 6311.1

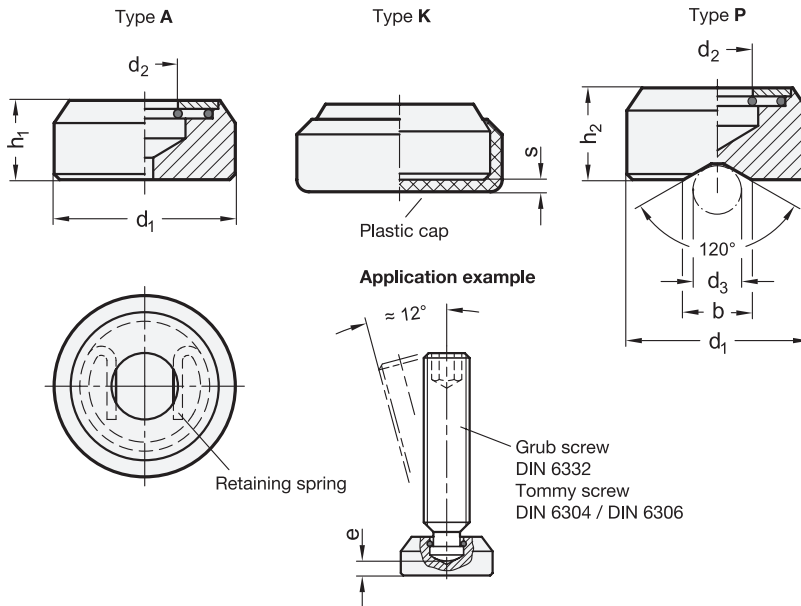
Steel / Stainless Steel

# Thrust Pads

for DIN 6332 Grub Screws or DIN 6304 / DIN 6306 Tommy Screws



**JW WINCO**  
A Garter Company



SS Stainless Steel

### 2 Type

- A** Smooth thrust pad surface, without plastic cap
- K** Smooth thrust pad surface, with plastic cap
- P** Thrust pad surface with detent, without plastic cap

## Metric table



Dimensions in: millimeters - inches

d <sub>1</sub>	b	d <sub>2</sub> +0.2	d <sub>3</sub>		e ≈	Type		h <sub>1</sub>	h <sub>2</sub>	s	Suitable for DIN 6332 grub screw	
			min.	max.		Type A	Type P					
12 0.47	8 0.31	5.2 0.20	7.5 0.30	16 0.63	1.5 0.06	4.5 0.18	6 0.24	9 0.35	1.5 0.06	M 6	-	
16 0.63	10 0.39	6.3 0.25	7.5 0.30	20 0.79	2.3 0.09	5.3 0.21	8 0.31	11 0.43	1.5 0.06	M 8	-	
20 0.79	12 0.47	9.2 0.36	7.5 0.30	24 0.94	2.6 0.10	5.6 0.22	10 0.39	13 0.51	1.5 0.06	M 10	M 12	
25 0.98	16 0.63	9.2 0.36	7.5 0.30	32 1.26	2.9 0.11	6.9 0.27	11 0.43	15 0.59	1.5 0.06	M 10	M 12	
32 1.26	22 0.87	12.5 0.49	7.5 0.30	44 1.73	4.5 0.18	9.5 0.37	14 0.55	19 0.75	1.5 0.06	M 16	-	
40 1.57	25 0.98	16.5 0.65	7.5 0.30	50 1.97	4.5 0.18	10.5 0.41	16 0.63	22 0.87	1.5 0.06	M 20	-	

## Specification



- Body
  - Steel, blackened finish
  - Stainless steel AISI 304
- Retaining spring
  - Stainless steel AISI 304
- Cap
  - Plastic (Polyacetal POM)
  - Natural color
  - Temperature resistant up to 212 °F (100 °C)
- [Plastic Characteristics](#) → page 2135
- [Stainless Steel Characteristics](#) → page 2143
- [RoHS compliant](#)

## Accessory

- Grub screws DIN 6332 → page 1119
- Tommy screws DIN 6304 → page 547
- Tommy screws DIN 6306 → [www.jwwinco.com](http://www.jwwinco.com)

## Information

GN 6311.1 thrust pads are used together with screws that have a thrust point (DIN 6332 grub screws, DIN 6304 / DIN 6306 tommy screws). They adapt to uneven or cylindrical surfaces and prevent the rotary motion of the screw from being transmitted to the workpiece.

The plastic cap (type K) prevents damage to delicate surfaces. The innovative design of the retaining spring allows simple mounting and removal of the screw tip to the thrust pad.

Together with DIN 6332 grub screws, these thrust pads can be used as leveling feet.

### see also...

- [Thrust Pads GN 631 / GN 631.5 \(Plastic / Stainless Steel\)](#) → page 1126
- [Leveling Feet GN 6311.4 / GN 6311.5 \(Steel / Stainless Steel\)](#) → page 1476

<b>How to order (Steel)</b>  <b>GN 6311.1-25-K</b>	1	Outer diameter d <sub>1</sub>
	2	Type
<b>How to order (Stainless steel)</b>  <b>GN 6311.1-32-A-NI</b>	1	Outer diameter d <sub>1</sub>
	2	Type
	3	Material

3.1  
3.2  
3.3  
3.4  
3.5  
3.6  
3.7  
3.8  
3.9  
3.10