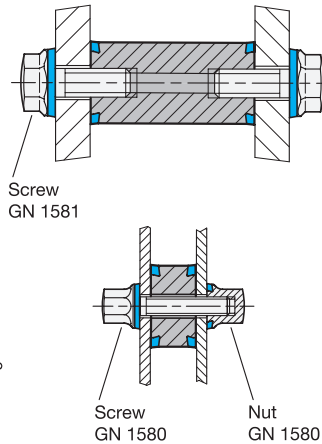


Application examples



3 Type

- A1** Through hole
- A2** Through hole with continuous thread
- A3** Through hole with thread on both sides

Metric table

d ₁	1 Length l ±0.1			2 Length l ±0.2			d ₂ Through hole for screw	d ₃ Thread	d ₄	d ₅	t min.
	Type A1	Type A2	Type A3	Type A1	Type A2	Type A3					
22 0.87	10 0.394	12 0.472	16 0.630	20 0.79	30 1.181	50 1.969	M 5	M 6	18 0.71	22.8 0.90	12 0.47
28 1.10	12 0.472	16 0.630	20 0.787	30 1.18	50 1.969	75 2.953	M 6	M 8	24 0.94	28.8 1.13	16 0.63
34 1.34	12 0.472	16 0.630	20 0.787	30 1.18	50 1.969	100 3.937	M 8	M 10	30 1.18	34.8 1.37	20 0.79

Dimensions in: millimeters - inches

Specification

- Body
Stainless steel AISI 316L
Matte finish (Ra < 0.8 µm) **MT**
- Sealing ring
 - H-NBR **H**
Temperature resistant
-13 °F to +302 °F (-25 °C to +150 °C)
 - EPDM **E**
Temperature resistant
-40 °F to +248 °F (-40 °C to +120 °C)
 - Blue
 - Hardness 85 ±5 shore A
 - FDA compliant
- [Elastomer Characteristics](#) → page QVX
- [Stainless Steel Characteristics](#) → page QVX
- [RoHS compliant](#)

Accessory

- Sealing rings GN 7600 → page QVX

Information

Spacers GN 6226 are certified according to DGVV Test guidelines and are intended for use in hygienic areas. The sealed mounting surfaces enable fastening without dead spaces. The high quality finish prevents adherence of dirt and facilitates cleaning.

Spacers are used to fasten parts at an offset parallel to their plane of installation. This avoids doubling up on surfaces and leaves space for cleaning. The internal thread can alternatively be used as a through hole by a screw with a smaller thread.

see also...

- [Product Family Hygienic Design](#) → page QVX
- [Hex Head Screws Hygienic Design GN 1580](#) → page QVX
- [Nuts Hygienic Design GN 1580](#) → page QVX
- [Hex Head Screws Hygienic Design GN 1581 \(Low-Profile Head\)](#) → page QVX
- [Hexagon Head Screws Hygienic Design GN 1582 \(with Recessed Stud for Loss Protection\)](#) → page QVX

How to order	
1	Outer diameter d ₁
2	Length l
3	Type
4	Finish
5	Sealing ring material

GN 6226-28-75-A3-MT-H