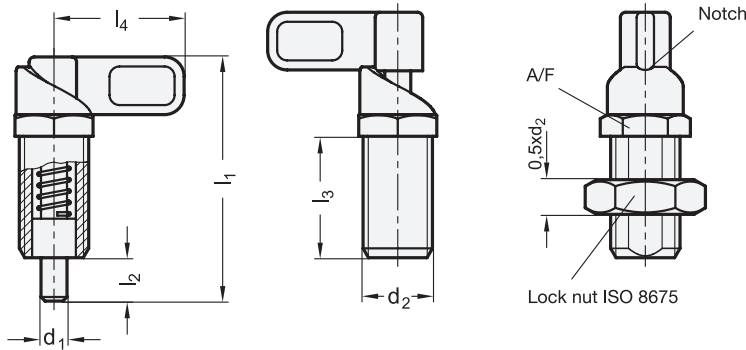


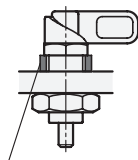
GN 612.8 Cam Action Indexing Plungers

Zinc Die-Cast, Lock-Out

Plunger pin retracted



Assembly instruction



Spacer bushing GN 609.5



Metric

3 Type

- A Without lock nut
- AK With lock nut

Metric table

1 d ₁ Pin -0.05 Bore +0.1 +0.05	2 d ₂ Thread	l ₁	l ₂	l ₃	l ₄	A/F	Spring load ≈	
							Initial	End
4 .16	M 12 x 1.5	48 1.89	8 .31	25 .98	25 .98	13 .51	8 N 1.80 lbf	22 N 4.95 lbf
5 .20	M 12 x 1.5	48 1.89	8 .31	25 .98	25 .98	13 .51	8 N 1.80 lbf	22 N 4.95 lbf
6 .24	M 12 x 1.5	48 1.89	8 .31	25 .98	25 .98	13 .51	8 N 1.80 lbf	22 N 4.95 lbf
6 .24	M 16 x 1.5	56.5 2.22	10 .39	28 1.10	30 1.18	18 .71	11 N 2.47 lbf	30 N 6.74 lbf
8 .31	M 16 x 1.5	56.5 2.22	10 .39	28 1.10	30 1.18	18 .71	11 N 2.47 lbf	30 N 6.74 lbf
8 .31	M 20 x 1.5	69.5 2.74	12 .47	36 1.42	37 1.46	22 .87	20 N 4.50 lbf	56 N 12.59 lbf
10 .39	M 16 x 1.5	56.5 2.22	10 .39	28 1.10	30 1.18	18 .71	11 N 2.47 lbf	30 N 6.74 lbf
10 .39	M 20 x 1.5	69.5 2.74	12 .47	36 1.42	37 1.46	22 .87	20 N 4.50 lbf	56 N 12.59 lbf
12 .47	M 20 x 1.5	69.5 2.74	12 .47	36 1.42	37 1.46	22 .87	20 N 4.50 lbf	56 N 12.59 lbf

Dimensions in: millimeters - inches

Specification

- Threaded body
Zinc die-cast
- Corrosion resistant ZNDG Pass Nano® coating
- Anthracite colored
- Plunger pin
Steel, zinc plated, blue passivated finish
- Lever arm
Plastic
Technopolymer (Polyamide PA)
- Temperature resistant up to 230 °F (110 °C)
- Black, matte finish
- Not removable
- Lock nut
Steel, zinc plated
DIN 439 B / ISO 8675
- RoHS compliant

Information

GN 612.8 cam action indexing plungers are best utilized in applications where the pin may need to be retracted periodically. By rotating the lever arm 180° the plunger pin is withdrawn. The notch allows for safe positioning while the plunger is held in the retracted position.

These zinc die-cast indexing plungers are economically priced.

see also...

- List of Cam Action Indexing Plungers Types
- Mounting Blocks GN 412.1
- Mounting Blocks GN 612.1
- Spacer Bushings GN 609.5 (to Limit the Thread Length)

How to order

GN612.8-8-M16x1.5-A

- | | |
|---|-----------------------------|
| 1 | Pin diameter d ₁ |
| 2 | Thread d ₂ |
| 3 | Type |