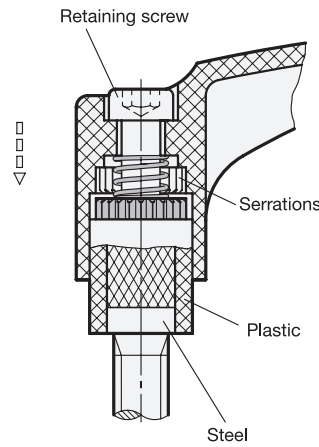
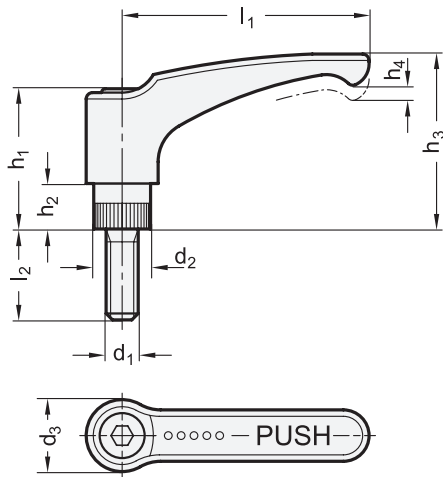


EN 604.2 Safety Adjustable Levers

Technopolymer Plastic, Ergostyle®, Threaded Stud Type, with Steel Components



Metric table

Dimensions in: millimeters - inches

1	2	3							
l_1	d_1 Thread	l_2		d_2	d_3	h_1	h_2	h_3	h_4 Stroke
44 1.73	M 6	16 0.63	25 0.98	12 0.47	15.5 0.61	29 1.14	9 0.35	36 1.42	3.5 0.14
63 2.48	M 8	20 0.79	30 1.18	15 0.59	19 0.75	37 1.46	12 0.47	48 1.89	4 0.16

Specification

- Lever body
Plastic
Technopolymer (Polyamide PA)
- Glass fiber reinforced
- Temperature resistant up to 266 °F (130 °C)
- Black-gray, RAL 7021, matte finish ● SG
- Threaded stud / retaining screw
Steel, blackened finish
- Plastic Characteristics → page 2135
- RoHS compliant

Information

EN 604.2 safety adjustable levers like all the products of the Ergostyle® product family are renowned for their good style and also their ergonomical shape. The gently arched handle with a reinforced end of the lever gives the operator a good grip.

These safety adjustable levers are used where the inadvertent loosening or readjustment can result in accidents.

If not operated, the lever is not linked to the tapped insert, i.e. the adjustable lever turns freely.

As soon as the lever hub is pushed down, both serrations will engage, allowing the fixture to be released or clamped.

After "releasing", the connection disengages through spring tension.

see also...

- Product Family Ergostyle® → page 18
- Safety Adjustable Levers GN 312 → page 537
- Safety Lobed Knobs GN 5337.3 → page 613

How to order

1 2 3 4
EN 604.2-44-M6-25-SG

- | | |
|---|---------------------|
| 1 | Lever length l_1 |
| 2 | Thread d_1 |
| 3 | Thread length l_2 |
| 4 | Color |