

ELESA original design CSMH.

- 1** Type  
**SCT** Lockable (Keyed alike)  
**SUT** Lockable (Keyed differently)

**Metric table**

**2**

Dimensions in: millimeters - inches

l <sub>1</sub>	b	d <sub>1</sub>	d <sub>2</sub> Thread	d <sub>3</sub>	h	l <sub>2</sub> Adjustable range		l <sub>3</sub>	l <sub>4</sub> Stroke	l <sub>5</sub>
						min.	max.			
77 3.03	128 5.04	18 0.71	M 5	9 0.35	116 4.57	13 0.51	75 2.95	13 0.51	5 0.20	63 2.48

**Specification**

**3**

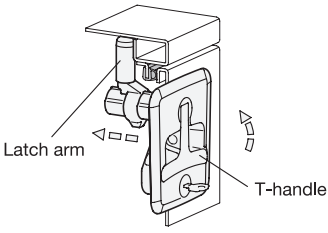
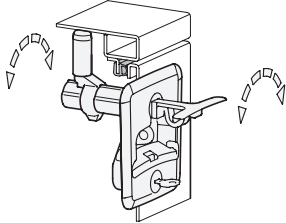
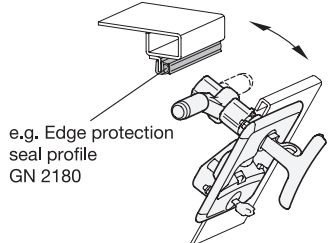
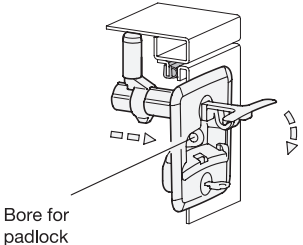
- Latch housing  
Plastic  
Technopolymer (Polyamide PA)  
- Glass fiber reinforced  
- Temperature resistant up to 176 °F (80 °C)  
- Black, RAL 9005, matte finish
- T-handle  
Zinc die-cast  
Powder coated  
Black, RAL 9005, matte finish **● SW**  
Gray, RAL 7035, matte finish **● GR**
- Lock mechanism / latch arm  
Zinc die-cast
- Key  
Brass, nickel plated
- Screws / nuts  
Steel, zinc plated, blue passivated finish
- Housing seal  
Silicone, transparent
- Protection class IP 65
- RoHS compliant

**Information**

EN 5630 lift and turn compression latches allow doors, covers and hatches to be closed and locked. The pull-out T-handle rotates the latch arm 90° into the closed position behind the frame. By folding the T-handle into the housing, the latch arm executes a 5 mm (0.20") linear stroke which presses the latch arm against the frame. For example, this provides an edge protection seal profile with the necessary pressure in the end position. The two-stage movement secures the closure against vibration. The position of the latch arm can be adjusted along the adjustable range l<sub>2</sub> and is fixed with a threaded pin. In the folded-down position, the T-handle can be locked with the key. The T-handle and the latch housing are provided with a hole d<sub>3</sub> which can be used for a padlock. The 4 mounting screws are injection-molded in the housing. The delivery includes 4 corresponding nuts and 2 removable keys.

How to order	<b>1</b> Type
<b>EN 5630-SCT-77-SW</b>	<b>2</b> Length l <sub>1</sub>
	<b>3</b> Color T-handle

3.1  
3.2  
3.3  
3.4  
3.5  
3.6  
3.7  
3.8  
3.9  
3.10

Description of function, operation	
 <p>Latch arm</p> <p>T-handle</p>	<p>The lift and turn compression latch is first unlocked with the key. When the T-handle is then folded out, the latch arm executes a 5 mm (0.20") linear stroke and lifts off of the frame.</p>
	<p>By rotating the T-handle by 90°, the latch arm moves into the open position.</p>
 <p>e.g. Edge protection seal profile GN 2180</p>	<p>In this position, doors and covers can be opened and closed.</p>
 <p>Bore for padlock</p>	<p>Rotating the T-handle another 90° moves the latch arm back into the lock position.</p> <p>Folding down the T-handle causes the lift and turn compression latch to execute a linear stroke that draws the latch arm against the frame.</p> <p>In this position, the lift and turn compression latch can be locked with the key or an additional padlock as needed.</p>

### Installation opening

The installation opening must be designed according to the dimensions given in the sketch.

