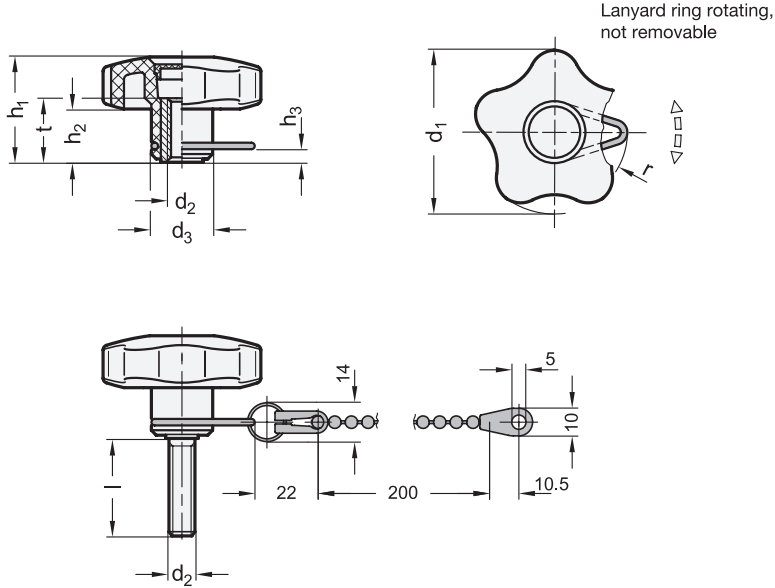


# EN 5337.13

Tapped Insert / Threaded Stud

# Five-Lobed Knobs with Loss Protection

Technopolymer Plastic



ELESA original design VCT-LP

### 4 Type

E With cover cap (tapped blind bore)

### 5 Loss protection

P With plastic ball chain

## Metric table

Dimensions in: millimeters - inches											
d <sub>1</sub>	d <sub>2</sub> Thread	Length l				d <sub>3</sub>	h <sub>1</sub>	h <sub>2</sub>	h <sub>3</sub>	r	t
25 0.98	M 5	10 0.39	16 0.63	20 0.79	25 0.98	13 0.51	19 0.75	8 0.31	2.75 0.11	20 0.79	10 0.39
32 1.26	M 6	16 0.63	20 0.79	25 0.98	30 1.18	15 0.59	23 0.91	10 0.39	2.75 0.11	21 0.83	12 0.47
40 1.57	M 8	20 0.79	25 0.98	30 1.18	40 1.57	17 0.67	27 1.06	12 0.47	2.75 0.11	21.5 0.85	18 0.71
50 1.97	M 10	20 0.79	25 0.98	30 1.18	40 1.57	19 0.75	32 1.26	14 0.55	2.75 0.11	22.5 0.89	20 0.79
63 2.48	M 12	30 1.18	40 1.57	50 1.97	-	22 0.87	37 1.46	16 0.63	2.75 0.11	24 0.94	26 1.02

## Specification

- Five-lobed knob  
Plastic  
Technopolymer (Polypropylene PP)  
- Reinforced, shock-resistant  
- Temperature resistant up to 140 °F (60 °C)  
- Black, matte finish
- Tapped insert  
Brass
- Threaded stud  
Steel, zinc plated, blue passivated finish
- Lanyard ring / ball chain  
Plastic  
Technopolymer (Polyacetal POM)
- Key ring  
Stainless steel, blackened finish
- RoHS compliant

## On request

- Ball chains with other lengths

## Information

EN 5337.13 five-lobed knobs with loss protection can be captively attached to a base element with the help of a beaded chain.

These knobs come **installed** (with a beaded plastic chain).

see also...

- Star Knobs with Loss Protection GN 6336.13
- Five-Lobed Knobs EN 5337.2
- More Knobs with Loss Protection GN 111.7

### How to order (Tapped insert)

EN 5337.13-40-M8-E-P

- |   |                                |
|---|--------------------------------|
| 1 | Handle diameter d <sub>1</sub> |
| 2 | Thread d <sub>2</sub>          |
| 4 | Type                           |
| 5 | Loss protection                |

### How to order (Threaded stud)

EN 5337.13-50-M10-30-P

- |   |                                |
|---|--------------------------------|
| 1 | Handle diameter d <sub>1</sub> |
| 2 | Thread d <sub>2</sub>          |
| 3 | Length l                       |
| 5 | Loss protection                |