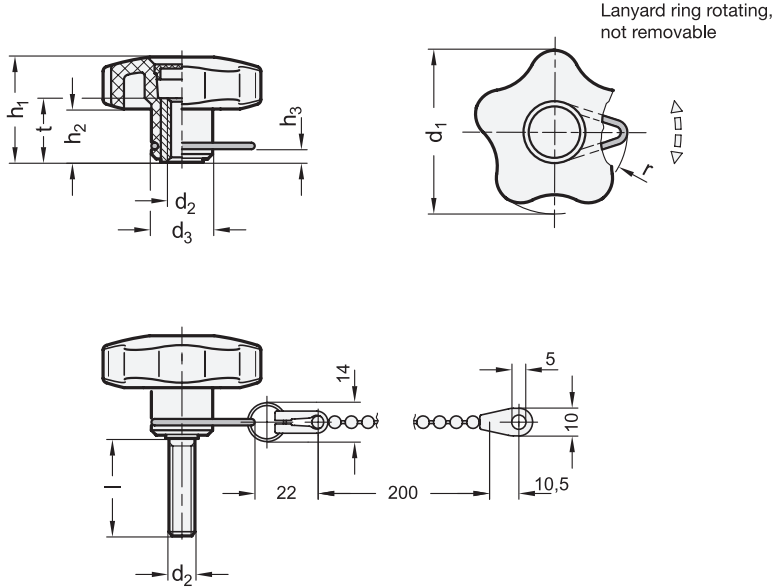


EN 5337.13

Tapped Insert / Threaded Stud

Five-Lobed Knobs with Loss Protection

Technopolymer Plastic



ELESA original design VCT-LP

4 Type

E With cover cap (tapped blind bore)

5 Loss protection

P With plastic ball chain

Metric table

| Dimensions in: millimeters - inches | | | | | | | | | | | |
|-------------------------------------|--------------------------|------------|------------|------------|------------|----------------|----------------|----------------|----------------|-------------|------------|
| d ₁ | d ₂ Thread | Length l | | | | d ₃ | h ₁ | h ₂ | h ₃ | r | t |
| 25 .98 | M 5 | 10 .39 | 16 .63 | 20 .79 | 25 .98 | 13 .51 | 19 .75 | 8 .31 | 2.75 .11 | 20 .79 | 10 .39 |
| 32 1.26 | M 6 | 16 .63 | 20 .79 | 25 .98 | 30 1.18 | 15 .59 | 23 .91 | 10 .39 | 2.75 .11 | 21 .83 | 12 .47 |
| 40 1.57 | M 8 | 20 .79 | 25 .98 | 30 1.18 | 40 1.57 | 17 .67 | 27 1.06 | 12 .47 | 2.75 .11 | 21.5 .85 | 18 .71 |
| 50 1.97 | M 10 | 20 .79 | 25 .98 | 30 1.18 | 40 1.57 | 19 .75 | 32 1.26 | 14 .55 | 2.75 .11 | 22.5 .89 | 20 .79 |
| 63 2.48 | M 12 | 30 1.18 | 40 1.57 | 50 1.97 | - | 22 .87 | 37 1.46 | 16 .63 | 2.75 .11 | 24 .94 | 26 1.02 |

Specification

- Five-lobed knob
Plastic
Technopolymer (Polypropylene PP)
- Reinforced, shock-resistant
- Temperature resistant up to 140 °F (60 °C)
- Black, matte finish
- Tapped insert
Brass
- Threaded stud
Steel, zinc plated, blue passivated finish
- Lanyard ring
Plastic
Technopolymer (Polypropylene PP)
- Ball chain
Plastic
Technopolymer (Polyoxymethylene POM)
- RoHS compliant

On request

- Ball chains with other lengths

Information

EN 5337.13 five-lobed knobs with loss protection can be captively attached to a base element with the help of a beaded chain.

These knobs come **installed** (with a beaded plastic chain).

see also...

- Star Knobs with Loss Protection GN 6336.13
- Five-Lobed Knobs EN 5337.2
- More Knobs with Loss Protection GN 111.7

How to order (Tapped insert)

EN 5337.13-40-M8-E-P

- | | |
|---|--------------------------------|
| 1 | Handle diameter d ₁ |
| 2 | Thread d ₂ |
| 4 | Type |
| 5 | Loss protection |

How to order (Threaded stud)

EN 5337.13-50-M10-30-P

- | | |
|---|--------------------------------|
| 1 | Handle diameter d ₁ |
| 2 | Thread d ₂ |
| 3 | Length l |
| 5 | Loss protection |