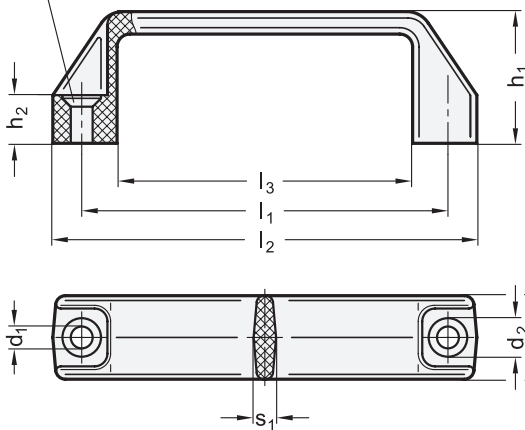
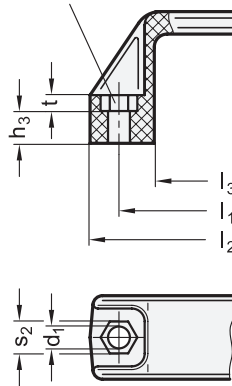




EN 528.2
Bore for countersunk screw DIN 7991



EN 528.3
Bore for socket cap screw #10 / 1/4" or hexagon head screw ISO 4014-M5 / M6



ELESA original design M.443-EH / SH

Metric table



Dimensions in: millimeters - inches

l_1		b	d_1	d_2	h_1	h_2	h_3	l_2	l_3	s_1	s_2	t
GN 528.2	GN 528.3											
94 -1 3.70 -0.04	94 -1 3.70 -0.04	21 .83	5.5 .22	10 .39	38 1.50	13 .51	7 .28	109 4.29	74 2.91	6 .24	8 .31	6 .24
117 ±1 4.61 ±0.04	117 ±1 4.61 ±0.04	26 1.02	6.5 .26	12 .47	41 1.61	15 .59	9 .35	137 5.39	93 3.66	7 .28	10 .39	6 .24
-	122 ±1 4.80 ±0.04	26 1.02	6.5 .26	-	41 1.61	-	8.5 .33	142 5.59	100 3.94	7 .28	10 .39	6.5 .26
140 ±1 5.51 ±0.04	140 ±1 5.51 ±0.04	27 1.06	6.5 .26	12 .47	46 1.81	16 .63	9.5 .37	160 6.30	113 4.45	7 .28	10 .39	6.5 .26
-	150 ±1 5.91 ±0.04	27 1.06	6.5 .26	-	47 1.85	-	10.5 .41	172 6.77	125 4.92	7 .28	10 .39	6.5 .26
160 ±1 6.30 ±0.04	160 ±1 6.30 ±0.04	28 1.10	6.5 .26	12 .47	50 1.97	17 .67	10.5 .41	179 7.05	132 5.20	7 .28	10 .39	6.5 .26
179 ±1 7.05 ±0.04	-	28 1.10	6.5 .26	12 .47	50 1.97	17 .67	-	197 7.76	151 5.94	7.5 .30	-	-

Specification



- Plastic **PA**
Technopolymer (Polyamide)
- Glass fiber reinforced
- Temperature resistant up to 302 °F (150 °C)
- Black, RAL 9005, matte finish **● SW**
- RoHS compliant

Information

EN 528.3 cabinet "U" handles are resistant to solvents, oils, grease and other chemical agents.

see also...

- Cabinet "U" Handles EN 528
(Technopolymer Plastic, Mounting from the Operator's Side)
- Cabinet "U" Handles GN 728
(Aluminum, Mounting from the Back or from the Operator's Side)

On request

- Various metric and inch size fasteners and kit packaging

How to order (for countersunk screws)	1	Material
	2	Length l_1
	3	Color
EN 528.2-PA-179-SW		
How to order (for hexagon head screws)	1	Material
	2	Length l_1
	3	Color
EN 528.3-PA-150-SW		