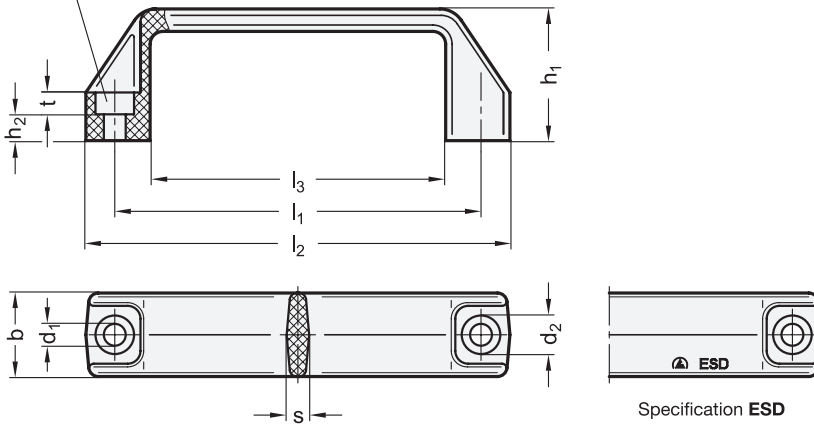


Bore for socket cap screw 1/4" / 5/16" / 3/8"  
or DIN 912-M6 / M8 / M10



ELESA original design M.443



Specification **ESD**

**Specification**



- Plastic **PA**  
Technopolymer (Polyamide)  
- Glass fiber reinforced  
- Temperature resistant up to 302 °F (150 °C)  
- Black, RAL 9005, matte finish ● **SW**  
- Orange, RAL 2004, matte finish ● **OR**  
- Gray, RAL 7031, matte finish ● **GR**  
- Red, RAL 3000, matte finish ● **RT**
- Plastic **PP**  
Technopolymer (Polypropylene)  
- Glass fiber reinforced  
- Temperature resistant up to 212 °F (100 °C)  
- Black, RAL 9005, matte finish ● **SW**
- Plastic, self-extinguishing **SV**   
Technopolymer (Polyamide)  
- Glass fiber reinforced  
- Temperature resistant up to 302 °F (150 °C)  
- Black, RAL 9005, matte finish ● **SW**
- Plastic **ESD**  
Technopolymer (Polyamide)  
- Antistatic  
- Glass fiber reinforced  
- Temperature resistant up to 302 °F (150 °C)  
- Black, RAL 9005, matte finish ● **SW**

• RoHS compliant

**Information**

EN 528 cabinet "U" handles are assembled to drawers / doors from the outside using cap screws.  
Cabinet "U" handles, type PP (Polypropylene) are, however, less viable from a mechanical and thermal standpoint, but price wise they are more economical and are quite adequate for many applications.  
Cabinet "U" handles, type SV are made of a UL 94 V-0 plastic material which is self-extinguishing. The classification to UL 94 V-0 (Underwriters Laboratories) covers the properties and durability against fire. According to their tests a plastic test piece of a defined shape and dimension is set on fire in a vertical position whereby the flame on a scale from V - 0 has to extinguish itself within 10 seconds without leaving any burning droplets.  
Cabinet "U" handles, type ESD are made from a conductive plastic material which prevents electrostatic loading. The imprint „ESD“ on the surface of the handle defines the special antistatic properties according to IEC 61340-5-1.

see also...

- Product Range Standard Parts for Profile Systems
- Cabinet "U" Handles GN 728  
(Aluminum, Mounting from the Back or from the Operator's Side)
- T-Nut Assemblies GN 965 (for 30 / 40 mm T-Slot Profile Systems)
- T-Nut Assemblies GN 968 (for 30 / 40 / 45 mm T-Slot Profile Systems)

**On request**

- Various metric and inch size fasteners and kit packaging

How to order

**EN 528-PA-117-6.5-SW**

- 1 **Material**
- 2 **Length l<sub>1</sub>**
- 3 **Bore d<sub>1</sub>**
- 4 **Color**

**Metric table**

Dimensions in: millimeters - inches

I <sub>1</sub>	d <sub>1</sub>	Material / Color								b	d <sub>2</sub>	h <sub>1</sub>	h <sub>2</sub>	l <sub>2</sub>	l <sub>3</sub>	s	t
		PA	OR	GR	RT	PP	SV	ESD	SW								
94 -1 3.70 -0.04	6.5 .26	SW	OR	GR	RT	SW	SW	SW	21 .83	10.5 .41	38 1.50	6 .24	109 4.29	74 2.91	6 .24	7 .28	
117 ±1 4.61 ±0.04	6.5 .26	SW	-	-	-	SW	SW	-	26 1.02	10.5 .41	41 1.61	9 .35	137 5.39	93 3.66	7 .28	6 .24	
117 ±1 4.61 ±0.04	8.5 .33	SW	OR	GR	RT	SW	SW	SW	26 1.02	13.5 .53	41 1.61	6.5 .26	137 5.39	93 3.66	7 .28	8.5 .33	
122 ±1 4.80 ±0.04	8.5 .33	SW	-	-	-	SW	-	-	26 1.02	13.5 .53	41 1.61	6.5 .26	142 5.59	100 3.94	7 .28	8.5 .33	
132 ±1 5.20 ±0.04	8.5 .33	SW	OR	GR	RT	SW	SW	-	27 1.06	13.5 .53	45 1.77	7.5 .30	150 5.91	108 4.25	7 .28	8.5 .33	
140 ±1 5.51 ±0.04	8.5 .33	SW	OR	GR	-	SW	-	-	27 1.06	13.5 .53	46 1.81	7.5 .30	160 6.30	113 4.45	7 .28	8.5 .33	
160 ±1 6.30 ±0.04	8.5 .33	SW	OR	GR	-	SW	-	-	28 1.10	13.5 .53	50 1.97	7.5 .30	179 7.05	132 5.20	7.5 .30	8.5 .33	
179 ±1 7.05 ±0.04	8.5 .33	SW	OR	GR	RT	SW	SW	-	28 1.10	13.5 .53	50 1.97	8.5 .33	196 7.72	151 5.94	7.5 .30	8.5 .33	
235 ±1 9.25 ±0.04	10.5 .41	SW	OR	GR	-	SW	-	-	30 1.18	16.5 .65	54 2.13	9.5 .37	260 10.24	201 7.91	8.5 .33	10.5 .41	

1.1  
1.2  
1.3  
1.4  
2.1  
2.2  
2.3  
2.4  
3.10