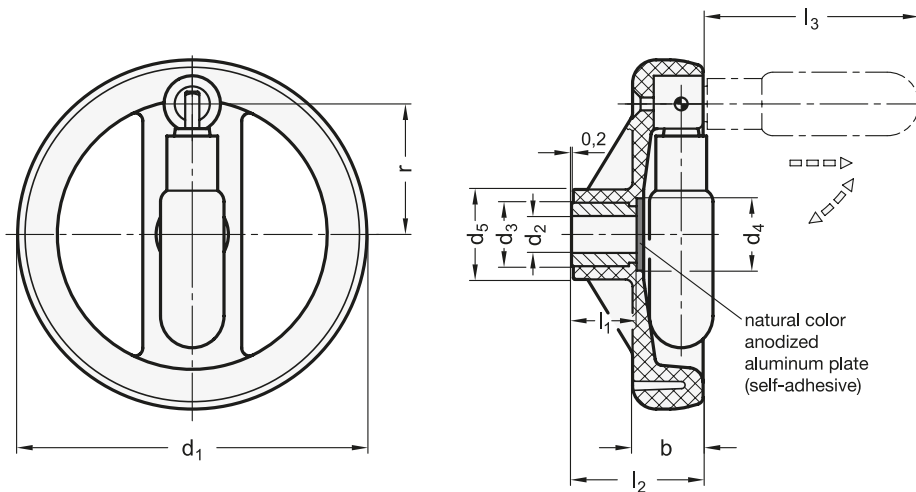


EN 522.6 Two Spoked Handwheels

Technopolymer Plastic, with Stainless Steel Hub and Retractable Mechanism, with Locking Retractable Handle



ELESA original design VRTP+IR-SST



2 Bore code

- B Without keyway
- K With keyway

4 Type

- R With revolving retractable handle

Dimensions in: millimeters - inches

Metric table

1 d ₁	3 d ₂ H7	d ₃	d ₄	d ₅	b	l ₁	l ₂	l ₃	r	Ø Handle
80 3.15	8 .31	18 .71	20.5 .81	25 .98	18 .71	17 .67	35 1.38	45 1.77	29 1.14	15.5 .61
100 3.94	10 .39	18 .71	20.5 .81	25.5 1.00	20 .79	17 .67	37 1.46	60 2.36	37 1.46	18 .71
125 4.92	12 .47	22 .87	26 1.02	31 1.22	22 .87	22 .87	44 1.73	65 2.56	48 1.89	22 .87
160 6.30	14 .55	26 1.02	31 1.22	40 1.57	25 .98	27 1.06	51 2.01	73 2.87	65 2.56	23 .91
200 7.87	16 .63	30 1.18	36 1.42	48.5 1.91	28 1.10	34 1.34	61 2.40	80 3.15	84 3.31	24 .94

Specification

- Plastic
Special high-impact strength Technopolymer (Polypropylene PP)
- Certified in accordance with FDA
- High strength reinforced, shock-resistant
- Temperature resistant up to 176 °F (80 °C)
- Black, matte finish
- Stainless steel, hub bushing, molded-in European Standard No. 1.4301 (AISI 304)
- Stainless Steel cover, self-adhesive European Standard No. 1.4301 (AISI 304)
- Retractable handles
- Plastic, Technopolymer
Black, matte finish
- Certified in accordance with FDA
- Retractable mechanism
Stainless steel
European Standard No. 1.4301 (AISI 304)
- RoHS compliant

Information

EN 522.6 two spoked handwheels are designed for applications where it is necessary for the handle to return back to starting position after operation for safety reasons or lack of space.

These handwheels have the distinguishing features where the handle and the retracting mechanism are completely encased within the rim of the wheel.

In the operating position, the handle is secured by a taper detent. To fold it down, it is drawn out from the tapered recess. A compression spring secures the handle in either position.

Ergonomically shaped rim for a safer and more comfortable grip.

Handle pivots freely during operation; a system of coaxial bushings compensates return spring load.

Resistant to solvents, oils, grease and other chemical agents.

Due to the materials used, these handwheels are especially suitable for use in corrosive atmospheres or in areas which must be wet cleaned. In particular, the FDA certified plastic materials permit use in the food industry.

see also...

- Countersunk Washers GN 184.5 (Stainless Steel, for Axial Fixing)

On request

- Other modifications such as inch and special metric bores, set screw holes, cross holes, etc.

How to order	
1 Handwheel diameter d ₁	1
2 Bore code	2
3 Bore diameter d ₂	3
4 Type	4

EN 522.6-80-B 8-R