

## GN 441

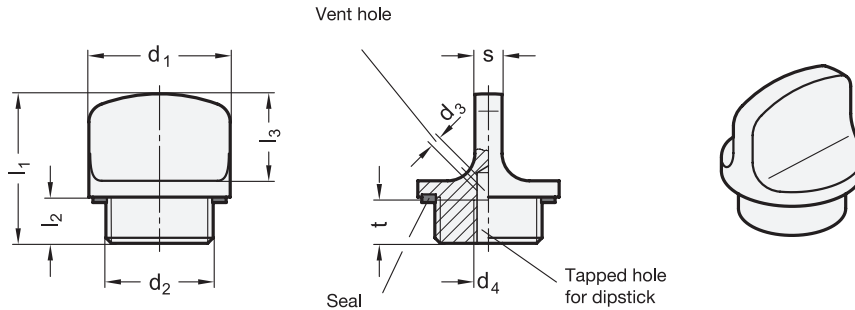
Resistant up to 212 °F

## GN 442

Resistant up to 392 °F

## Threaded Plugs

Aluminum, with Finger Grip



Metric



### Identification no.

- 1 Without vent hole
- 2 With vent hole

## Metric table

Dimensions in: millimeters - inches

<sup>1</sup> d <sub>1</sub>	<sup>2</sup> d <sub>2</sub> Pipe thread	Fine thread	d <sub>3</sub> Vent hole	d <sub>4</sub> Thread	l <sub>1</sub> ±0.5	l <sub>2</sub>	l <sub>3</sub>	s	t min.
22 0.87	G 3/8	M 16 x 1.5	2 0.08	M 5	26 1.02	8 0.31	15 0.59	5 0.20	8 0.31
26 1.02	G 1/2	M 20 x 1.5	2 0.08	M 5	27.5 1.08	8.5 0.33	16 0.63	5 0.20	8 0.31
32 1.26	G 3/4	M 26 x 1.5	2 0.08	M 5	29 1.14	9 0.35	17 0.67	6 0.24	8 0.31
40 1.57	G 1	-	2 0.08	M 5	32.5 1.28	11 0.43	18 0.71	7 0.28	8 0.31

## Specification

- Body  
Aluminum
  - Powder coated
  - Black, RAL 9005, textured finish  SW
  - Plain, tumbled finish  BL
- **GN 441**
  - Temperature resistant up to 212 °F (100 °C)
  - Seal  
Rubber NBR (Perbunan®)
- **GN 442**
  - Temperature resistant up to 392 °F (200 °C)
  - Seal  
Rubber FPM (Viton®)
  - Identification by non-black coloring of the seal

• RoHS compliant

## Information

The outer diameter d<sub>1</sub> of GN 441 and GN 442 threaded plugs is chosen to match screw-in holes for threaded pipe connection ports according to DIN 3852.

The seal is embedded in a radial groove and can therefore not be lost or squeezed out during the tightening operation.

see also...

- Fluid Fill / Drain Plugs GN 741 / GN 742 (with External Hexagon)
- Fluid Fill Plugs EN 548.1 (Plastic)

## On request

- With dipstick

How to order (Resistant up to 212 °F)

<sup>1</sup> <sup>2</sup> <sup>3</sup> <sup>4</sup>  
**GN 441-22-M16X1.5-1-BL**

- |   |  |
|---|--|
| 1 | Diameter d <sub>1</sub>                                  |
| 2 | Fine thread d <sub>2</sub> (Pipe thread d <sub>2</sub> ) |
| 3 | Identification no.                                       |
| 4 | Color  |

How to order (Resistant up to 392 °F)

<sup>1</sup> <sup>2</sup> <sup>3</sup> <sup>4</sup>  
**GN 442-40-G1-1-SW**

- |   |  |
|---|--|
| 1 | Diameter d <sub>1</sub>                                  |
| 2 | Pipe thread d <sub>2</sub> (Fine thread d <sub>2</sub> ) |
| 3 | Identification no.                                       |
| 4 | Color  |