

- 3 Type**
- A Without handle
 - D With revolving steel handle
- 4 Coding**
- ZI Engage by pulling
 - DR Engage by pushing

Metric table

Dimensions in: millimeters - inches

d ₁	d ₂ H7 Bore with keyway		d ₃		d ₄ max.	l ₁		l ₂	l ₃		l ₄	r	w min.	Ø Handle	Coupling size GN 000.4 GN 000.5
	GN 000.4 GN 000.5	GN 000.4	GN 000.4	GN 000.5		GN 000.4	GN 000.5		GN 000.4	GN 000.5					
125 4.92	K 12	-	28 1.10	29 1.14	17 .67	28.5 1.12	42 1.65	18 .71	5 .20	12 .47	67.5 2.66	54 2.13	4 .16	23 .91	1
140 5.51	K 12	-	28 1.10	29 1.14	17 .67	28.5 1.12	42 1.65	19 .75	5 .20	12 .47	67.5 2.66	61 2.40	4 .16	23 .91	1
140 5.51	K 14	K 16	32 1.26	33 1.30	21 .83	32.5 1.28	48 1.89	19 .75	6 .24	14 .55	67.5 2.66	61 2.40	4 .16	23 .91	2
160 6.30	K 14	K 16	32 1.26	33 1.30	21 .83	32.5 1.28	48 1.89	20 .79	6 .24	14 .55	82.5 3.25	71 2.80	4 .16	26 1.02	2
200 7.87	K 18	K 20	38 1.50	39 1.54	26 1.02	36.5 1.44	50 1.97	24 .94	6 .24	13 .51	82.5 3.25	89 3.50	4 .16	26 1.02	3
250 9.84	K 22	-	45 1.77	46 1.81	30 1.18	47.5 1.87	54 2.13	28 1.10	12 .47	13 .51	92.5 3.64	113 4.45	4 .16	28 1.10	4

Specification

- Handwheels see following page respectively standard sheets
- Coupling elements
 - Safety clutch assemblies GN 000.4
 - Safety clutch assemblies GN 000.5
- RoHS compliant

Information

The use of safety clutch assemblies in handwheels other than specified on this sheet is also possible.

see also...

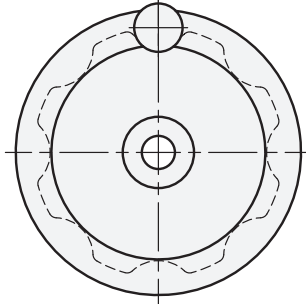
- More information to Safety Clutch Handwheels
- Countersunk Washers GN 184 (for Axial Fixing)

* Insert the code no. of the desired handwheels (here in How to order: GN 321).

How to order	1 Handwheel diameter d ₁
GN 321.4-140-K14-D-DR	2 Bore with keyway d ₂
1 2 3 4	3 Type
	4 Coding

Safety Clutch Handwheels

Overview of types

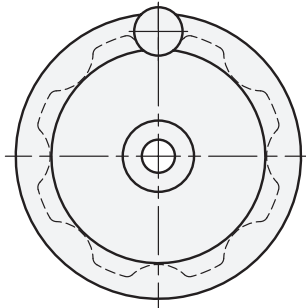


Solid disk handwheels GN 321

Aluminum
Rim highly polished on all sides

Revolving handles GN 598

Steel
Powder coated
Black, matte textured finish

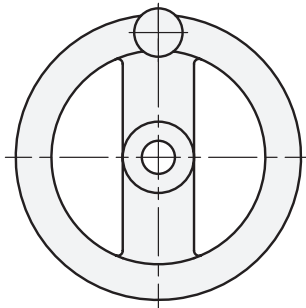


Solid disk handwheels GN 323

Aluminum
Powder coated
Black, matte textured finish

Revolving handles GN 598

Steel
Powder coated
Black, matte textured finish



Two spoked handwheels GN 322

Aluminum
Rim highly polished on all sides

Revolving handles GN 598

Steel
Powder coated
Black, matte textured finish

1.1

1.2

1.3

1.4

2.1

2.2

2.3

2.4

