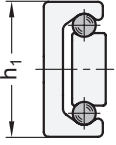
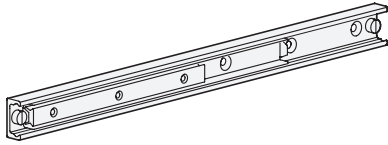
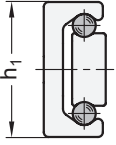
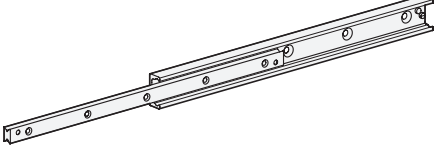
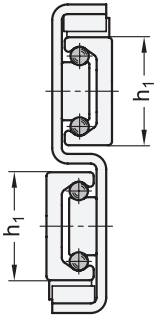
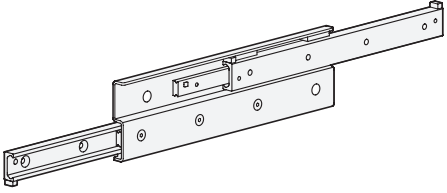
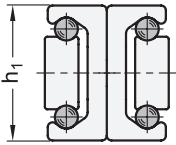
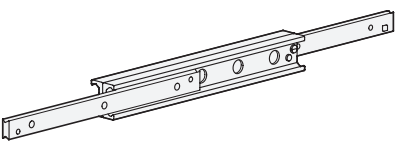
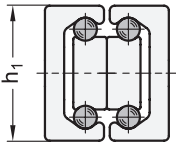
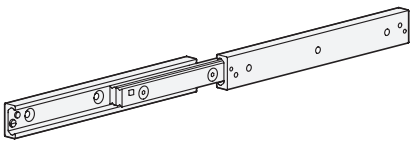


# Linear Slides

Overview of Types

<p><b>Linear slides</b> with no extension <b>GN 2402</b> → page 1913</p>		
<p><b>Telescopic linear slides</b> with partial extension <b>GN 2404</b> → page 1914</p>		
<p><b>Telescopic linear slides</b> with full extension, with S-shaped intermediate profile <b>GN 2406</b> → page 1915</p>		
<p><b>Telescopic linear slides</b> with full extension, with rails connected in H-shape <b>GN 2408</b> → page 1916</p>		
<p><b>Telescopic linear slides</b> with full extension, with runners connected in dual configuration <b>GN 2410</b> → page 1917</p>		

3.1

3.2

3.3

3.4

3.5

3.6

3.7

3.8

3.9

3.10

