

SS Stainless Steel

**4 Type**

- B** With plain washer
- E** With eyelet washer
- L** With mounting shackle washer (only identification no. 1)

**5 Identification no.**

- 1** Without cross hole
- 2** With cross hole for GN 1024 spring cotter pin

**Specification**

- Assembly pin  
Stainless steel **NI**  
European Standard No. 1.4301 (AISI 304)
- Washer  
Stainless steel  
- Type B: turned  
European Standard No. 1.4301 (AISI 304)  
- Type E: metal injection molded  
European Standard No. 1.4404 (AISI 316 LHC)  
- Type L: sintered  
European Standard No. 1.4404 (AISI 316 LHC)
- Countersunk screw DIN 7991  
Stainless steel  
European Standard No. 1.4301 (AISI 304)  
- Not removable  
- Loctited
- RoHS compliant

**Information**

GN 2342 assembly pins are characterized by their use in diverse applications. Depending on the requirement there are three washer types to choose from, which place the assembly pin in an axial position in its inserted direction.

With the eyelet washer (type E), the assembly pin and a corresponding GN 1024 spring cotter pin can be secured to prevent loss using a retaining cable or a ball chain. The mounting shackle washer (type L) simultaneously acts as loss and anti-rotation protection.

Assembly pins according to identification no. 2 are secured against falling out via a transverse cross hole which is aligned to the GN 1024 spring cotter pin.

**see also...**

- *List of Lock Pin Types*
- *Retaining Washers GN 2344*

**Accessory**

- Spring cotter pins GN 1024
- Ball chains GN 111 / GN 111.5
- Retaining cables GN 111.2
- Key rings GN 111.3

**How to order**

**GN 2342-NI-8-16-B-1**

<b>1</b>	<b>Material</b>
<b>2</b>	<b>Diameter <math>d_1</math></b>
<b>3</b>	<b>Length <math>l_1</math></b>
<b>4</b>	<b>Type</b>
<b>5</b>	<b>Identification no.</b>

**Metric table**

2 3

Dimensions in: millimeters - inches

d <sub>1</sub>	h <sub>9</sub>	I <sub>1</sub>						d <sub>2</sub>	d <sub>3</sub>	d <sub>4</sub>	d <sub>5</sub>	l <sub>2</sub>	l <sub>3</sub>	l <sub>4</sub>	l <sub>5</sub>	l <sub>6</sub>	l <sub>7</sub>	s <sub>1</sub>	s <sub>2</sub>	Suitable key ring Ø for type E		Suitable spring cotter pins for identification no. 2	
8	.31	16	20	24	28	30	32	2.5	12	2.5	4.3	5.5	7	13.5	18	10	2	3	4	14	-	-	GN 1024-NI-2-D
8	.31	35	40	45	50	55	60	2.5	12	2.5	4.3	5.5	7	13.5	18	10	2	3	4	14	-	-	GN 1024-NI-2-D
10	.39	20	24	30	35	40	45	2.5	15	2.5	4.3	6	7	15	21	11	4	3	4	14	-	-	GN 1024-NI-2-E / ...-D
10	.39	50	55	60	65	70	80	2.5	15	2.5	4.3	6	7	15	21	11	4	3	4	14	-	-	GN 1024-NI-2-E / ...-D
12	.47	20	24	30	35	40	45	2.5	17	3	5.3	7	9	18.5	23	12	4	4	4.5	14	18	-	GN 1024-NI-2-E / ...-D
12	.47	50	55	60	65	70	80	2.5	17	3	5.3	7	9	18.5	23	12	4	4	4.5	14	18	-	GN 1024-NI-2-E / ...-D
16	.63	32	35	40	45	50	55	3.5	22	3	5.3	8	9	21	28	15	6	4	4.5	14	18	-	GN 1024-NI-3-E / ...-D
16	.63	60	65	70	80	90	100	3.5	22	3	5.3	8	9	21	28	15	6	4	4.5	14	18	-	GN 1024-NI-3-E / ...-D
20	.79	40	45	50	55	60	65	4.5	26	3.5	6.4	10.5	9	24	31	17	6	4	5	14	18	24	GN 1024-NI-4-E / ...-D
20	.79	70	80	90	100	-	-	4.5	26	3.5	6.4	10.5	9	24	31	17	6	4	5	14	18	24	GN 1024-NI-4-E / ...-D

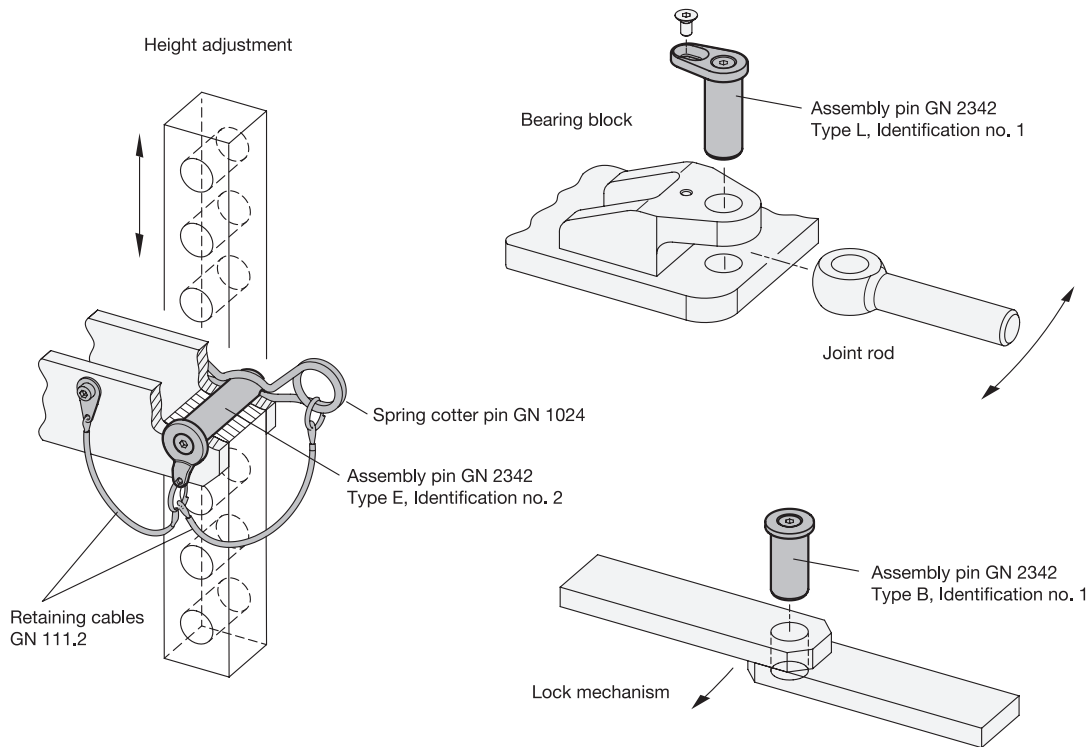
3.2

3.3

3.4

3.5

**Application example**



3.6

3.7

3.8

3.9

