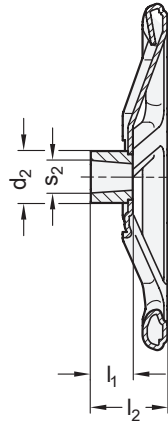
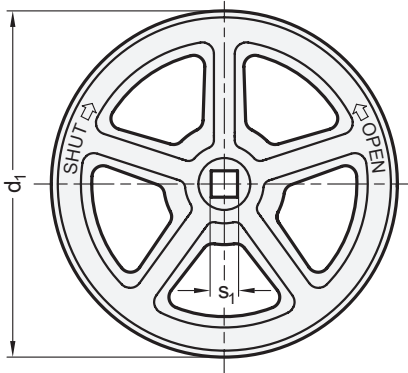


Metric



Metric table

Dimensions in: millimeters / inches

<sup>1</sup> d <sub>1</sub>	<sup>2</sup> s <sub>1</sub> Square (tapered)	s <sub>2</sub>	d <sub>2</sub>	l <sub>1</sub>	l <sub>2</sub> ±1	No. of spokes	Thickness of steel sheet metal
125 4.92	VK 11	12.7 0.50	28 1.10	17 0.67	31 1.22	3	1.2 0.05
150 5.91	VK 12	13.8 0.54	30 1.18	18 0.71	33.5 1.32	3	1.5 0.06
200 7.87	VK 14	16 0.63	35 1.38	20 0.79	40.5 1.59	3	2 0.08
250 9.84	VK 17	19.25 0.76	36 1.42	23 0.91	47 1.85	4	2 0.08
300 11.81	VK 19	21.8 0.86	42 1.65	28 1.10	59 2.32	5	2 0.08
400 15.75	VK 24	27 1.06	48 1.89	30 1.18	66 2.60	5	2.5 0.10

Specification

Steel sheet metal

Cathodic dip coated (KTL)

- Black, RAL 9005
- Red, RAL 3000
- Hub
- Steel, welded

- SWK
- RTK

RoHS

On request

- With bore B
- With square V
- Neutral, no engraving

Valve handwheels GN 227.7 feature high mechanical strength and a coating for increased corrosion resistance. In addition, they are not affected by shock and knocks.

The tapered square bore allows easy installation and firm seating on a mating tapered shaft. The closed rim prevents injuries from sharp edges during operation. The handwheels are stamped with “SHUT” and “OPEN” to aid with safe and correct operation of the valves.

see also...

GN 227.6 Valve Handwheels (Steel Sheet Metal)

Page

QVX

Accessory

GN 184 Countersunk Washers (for Axial Mounting)

QVX

How to order

**GN 227.7-200-VK14-SWK**

<sup>1</sup>	Handwheel diameter d <sub>1</sub>
<sup>2</sup>	Square s <sub>1</sub>
<sup>3</sup>	Color

1.1  
1.2  
1.3  
1.4  
2.1  
2.2  
2.3  
2.4

