

**4 Type**  
**A** With connection stud

**Metric table**

<b>1</b>	<b>2</b>	<b>3</b>							Dimensions in: millimeters - inches								
<b>d<sub>1</sub></b>	<b>m<sub>1</sub></b>	<b>m<sub>2</sub></b>	<b>d<sub>2</sub></b>	<b>l<sub>1</sub></b>	<b>l<sub>2</sub></b>	<b>l<sub>3</sub></b>	<b>l<sub>4</sub></b>	<b>s</b>	<b>d<sub>1</sub></b>	<b>m<sub>1</sub></b>	<b>m<sub>2</sub></b>	<b>d<sub>2</sub></b>	<b>l<sub>1</sub></b>	<b>l<sub>2</sub></b>	<b>l<sub>3</sub></b>	<b>l<sub>4</sub></b>	<b>s</b>
D 18	75 2.95	75 2.95	30 1.18	95 3.74	95 3.74	46 1.81	24 0.94	5 0.20	D 18	100 3.94	100 3.94	30 1.18	120 4.72	120 4.72	46 1.81	24 0.94	5 0.20
D 20	75 2.95	75 2.95	30 1.18	95 3.74	95 3.74	48 1.89	26 1.02	5 0.20	D 20	100 3.94	100 3.94	30 1.18	120 4.72	120 4.72	48 1.89	26 1.02	5 0.20
D 25	75 2.95	75 2.95	30 1.18	95 3.74	95 3.74	54 2.13	32 1.26	5 0.20	D 25	100 3.94	100 3.94	30 1.18	120 4.72	120 4.72	54 2.13	32 1.26	5 0.20
D 30	75 2.95	75 2.95	-	95 3.74	95 3.74	40 1.57	-	5 0.20	D 30	100 3.94	100 3.94	-	120 4.72	120 4.72	40 1.57	-	5 0.20
D 40	75 2.95	75 2.95	-	95 3.74	95 3.74	52 2.05	-	5 0.20	D 40	100 3.94	100 3.94	-	120 4.72	120 4.72	52 2.05	-	5 0.20
D 50	75 2.95	75 2.95	-	95 3.74	95 3.74	65 2.56	-	5 0.20	D 50	100 3.94	100 3.94	-	120 4.72	120 4.72	65 2.56	-	5 0.20

**Specification**

- Connection plate  
Aluminum  
Plain, tumbled finish **BL**
- Connection stud  
Aluminum  
Plain, turned finish
- Countersunk screws DIN 7991  
Stainless steel AISI 304
- *Stainless Steel Characteristics* → page 2143
- **RoHS compliant**

**On request**

- With additional VESA hole patterns

**Information**

GN 197 monitor mounts have a hole pattern according to the VESA standard. The connection studs can be combined with diverse components within the connector clamp range in order to realize a wide range of mounting variants, degrees of freedom and adjustment options.

**see also...**

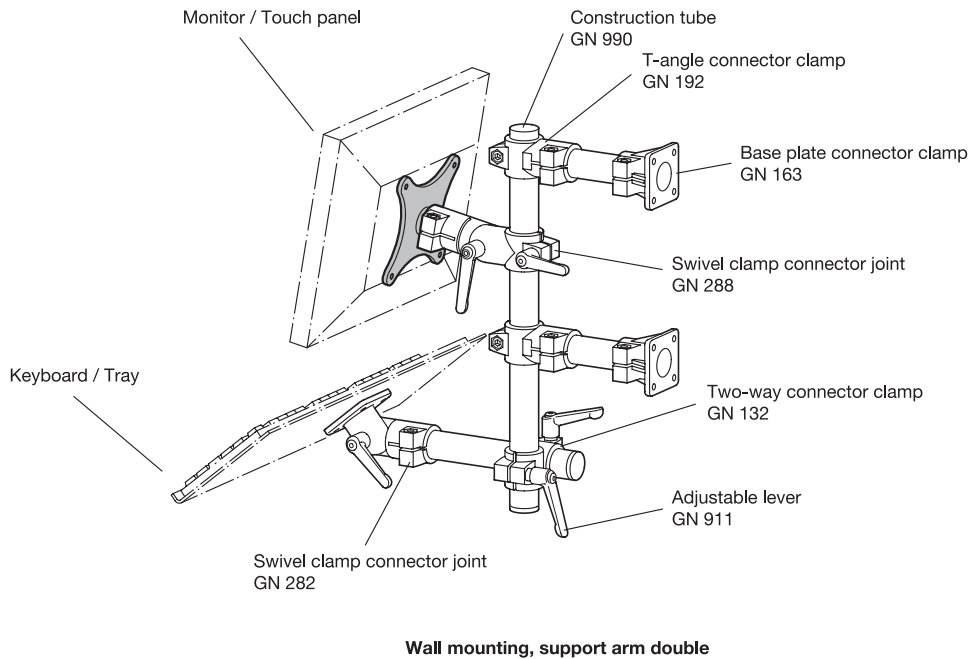
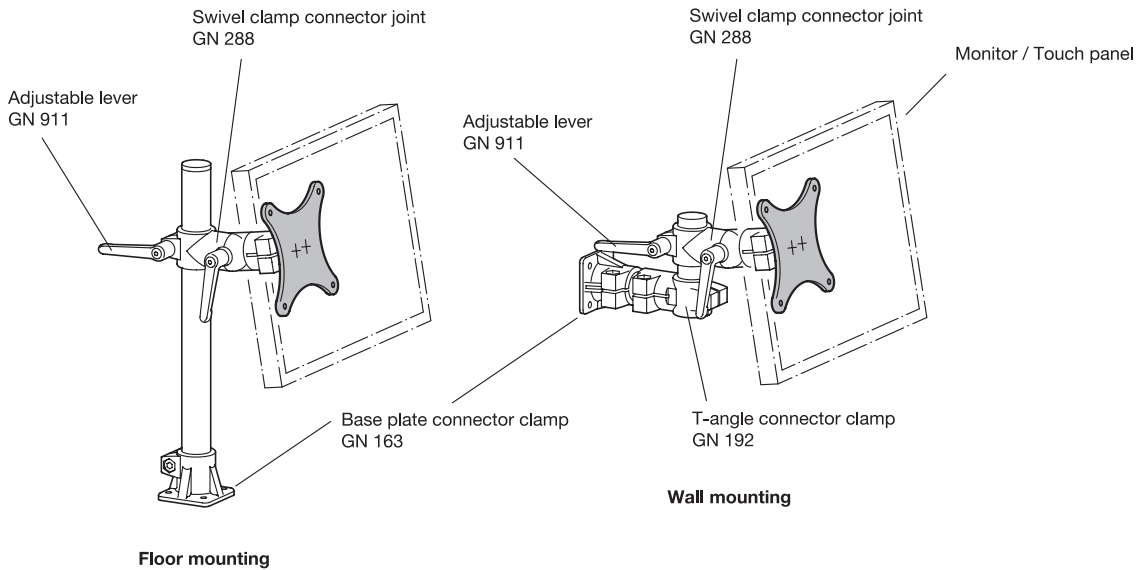
- *Construction Tubes GN 990* → page 1836
- *Swivel Clamp Connector Joints GN 288* → page 1808
- *Base Plate Connector Clamps GN 163* → page 1788
- *T-Angle Connector Clamps GN 192* → page 1794

How to order	
<b>1</b>	Bore diameter <b>d<sub>1</sub></b>
<b>2</b>	Length <b>m<sub>1</sub></b>
<b>3</b>	Length <b>m<sub>2</sub></b>
<b>4</b>	Type
<b>5</b>	Finish

**GN 197-D30-100-100-A-BL**

**Application examples**

Depending on the requirements and mounting situation, GN 197 monitor mounts can be expanded with connector clamps and GN 990 construction tubes to create complete solutions for wall or floor mounting. With a wide variety of designs, such as double support arms, swivel or flange joints, there are any number of degrees of freedom and adjustment options. It is also easy to attach other accessories nearby, such as keyboard trays or hand scanner holders.



3.1  
3.2  
3.3  
3.4  
3.5  
3.6  
3.7  
3.8  
3.9  
3.10

