

GN 162.3

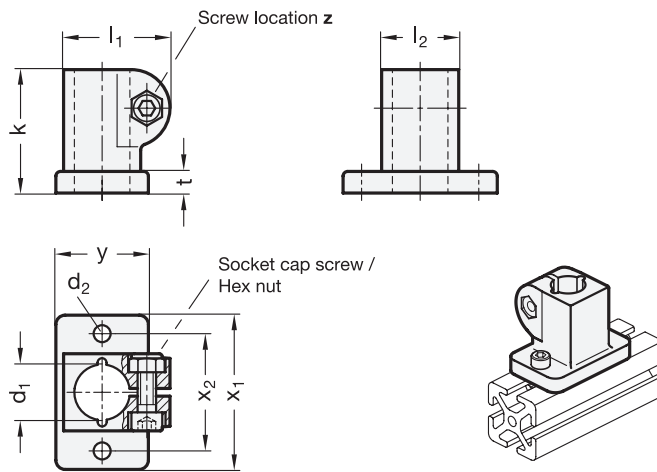
Aluminum / Stainless Steel

Base Plate Connector Clamps

with 2 Mounting Holes



JWWINCO
A Ganter Company



2 Identification no.

2 With stainless steel socket cap screw DIN 912

Metric table



Dimensions in: millimeters - inches

d ₁ Bore	d ₂	k Clamping length	l ₁	l ₂	t	x ₁	x ₂	y	z Screw location for screw size	
										Aluminum
B 10	-	5.5 0.22	40 1.57	34.5 1.36	25 0.98	7 0.28	50 1.97	38 1.50	30 1.18	M6-20
B 12	B 12	5.5 0.22	40 1.57	34.5 1.36	25 0.98	7 0.28	50 1.97	38 1.50	30 1.18	M6-20
B 14	B 14	5.5 0.22	40 1.57	34.5 1.36	25 0.98	7 0.28	50 1.97	38 1.50	30 1.18	M6-20
B 15	B 15	5.5 0.22	40 1.57	34.5 1.36	25 0.98	7 0.28	50 1.97	38 1.50	30 1.18	M6-20
B 16	B 16	5.5 0.22	40 1.57	34.5 1.36	25 0.98	7 0.28	50 1.97	38 1.50	30 1.18	M6-20
B 18	B 18	5.5 0.22	40 1.57	34.5 1.36	25 0.98	7 0.28	50 1.97	38 1.50	30 1.18	M6-20
-	B 20	5.5 0.22	40 1.57	34.5 1.36	25 0.98	7 0.28	50 1.97	38 1.50	30 1.18	M6-20

Specification



- Body
Aluminum
- Powder coated
Black, RAL 9005, textured finish **● SW**
- Plain, matte shot-blasted finish **○ BL**
- Body
Stainless steel AISI CF-8 **NI**
Matte shot-blasted finish
- Socket cap screws DIN 912
Stainless steel AISI 304
- Hex nuts DIN 985
Stainless steel AISI 304
Self-locking via polyamide ring
- *Stainless Steel Characteristics* → page 2143
- **RoHS compliant**

Information

The clamping bore of base plate connector clamps GN 162.3 is mechanically machined and designed for construction tubes GN 990 or DIN 2391, DIN 2395 and DIN 2462.

Base plate connector clamps GN 162.3 can also be mounted to **profile systems**.

At the screw location **z**, the socket cap screw reduces the bore cross-section for clamping.

see also...

- *Product Family Standard Parts for Profile Systems* → page 18
- *Construction Tubes GN 990* → page 1836
- *Base Plate Linear Actuator Connectors GN 162.1* → www.jwwinco.com
- *T-Nut Assemblies GN 965 (for 30 / 40 mm T-Slot Profile Systems)* → page 2048
- *T-Nut Assemblies GN 968 (for 30 / 40 / 45 mm T-Slot Profile Systems)* → page 2058

How to order (Aluminum) GN 162.3-B14-2-SW	1 Bore d ₁
	2 Identification no.
	3 Finish
How to order (Stainless steel) GN 162.3-B12-2-NI	1 Bore d ₁
	2 Identification no.
	3 Material