

GN 162

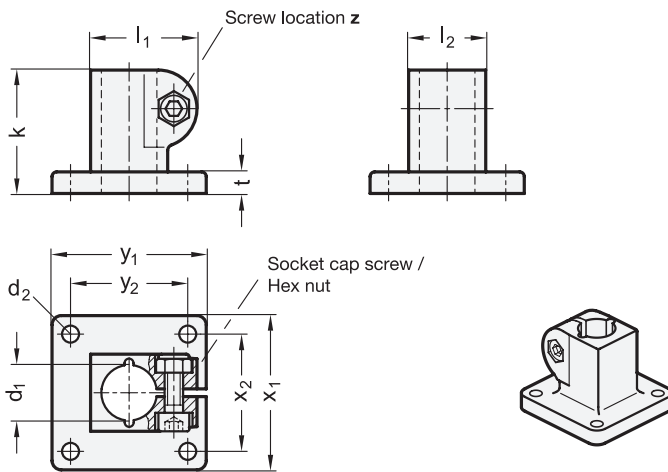
Aluminum / Stainless Steel

Base Plate Connector Clamps

with 4 Mounting Holes



JWWINCO
A Ganter Company



Inch | Metric



SS

Stainless Steel

2 Identification no.

2 With stainless steel socket cap screw DIN 912

Specification



- Body
Aluminum
- Powder coated
Black, RAL 9005, textured finish ● **SW**
- Plain, matte shot-blasted finish ○ **BL**
- Body
Stainless steel AISI CF-8 **NI**
Matte shot-blasted finish
(only available in metric sizes)
- Socket cap screws DIN 912
Stainless steel AISI 304
- Hex nuts DIN 985
Stainless steel AISI 304
Self-locking via polyamide ring
- *Stainless Steel Characteristics* → page 2143
- **RoHS compliant**

Information

The clamping bore of GN 162 base plate connector clamps is mechanically machined and designed for GN 990 or DIN 2391, DIN 2395 and DIN 2462 construction tubes.

At the screw location **z**, the socket cap screw reduces the bore cross-section for clamping.

see also...

- *Base Plate Mounting Clamps GN 473* → page 1819
- *Construction Tubes GN 990* → page 1836
- *Base Plate Linear Actuator Connectors GN 162.1* → www.jwwinco.com

How to order (Aluminum)



GN 162-B1/2-2-SW

1 Bore d_1

2 Identification no.

3 Finish

How to order (Stainless Steel)



GN 162-B14-2-NI

1 Bore d_1

2 Identification no.

3 Material

Inch table



Dimensions in: inches - *millimeters*

d₁ Bore Aluminum	d₂	k Clamping length	l₁	l₂	t	x₁	x₂	y₁	y₂	z Screw location for screw size
B 1/2	0.22 5.5	1.57 40	1.36 34.5	0.98 25	0.28 7	1.97 50	1.50 38	1.97 50	1.50 38	M6-20
B 5/8	0.22 5.5	1.57 40	1.36 34.5	0.98 25	0.28 7	1.97 50	1.50 38	1.97 50	1.50 38	M6-20
B 3/4	0.22 5.5	1.57 40	1.36 34.5	0.98 25	0.28 7	1.97 50	1.50 38	1.97 50	1.50 38	M6-20

Metric table



Dimensions in: millimeters - *inches*

d₁ Bore		d₂	k Clamping length	l₁	l₂	t	x₁	x₂	y₁	y₂	z Screw location for screw size
Aluminum	Stainless steel										
B 10	-	5.5 0.22	40 1.57	34.5 1.36	25 0.98	7 0.28	50 1.97	38 1.50	50 1.97	38 1.50	M6-20
B 12	B 12	5.5 0.22	40 1.57	34.5 1.36	25 0.98	7 0.28	50 1.97	38 1.50	50 1.97	38 1.50	M6-20
B 14	B 14	5.5 0.22	40 1.57	34.5 1.36	25 0.98	7 0.28	50 1.97	38 1.50	50 1.97	38 1.50	M6-20
B 15	B 15	5.5 0.22	40 1.57	34.5 1.36	25 0.98	7 0.28	50 1.97	38 1.50	50 1.97	38 1.50	M6-20
B 16	B 16	5.5 0.22	40 1.57	34.5 1.36	25 0.98	7 0.28	50 1.97	38 1.50	50 1.97	38 1.50	M6-20
B 18	B 18	5.5 0.22	40 1.57	34.5 1.36	25 0.98	7 0.28	50 1.97	38 1.50	50 1.97	38 1.50	M6-20
-	B 20	5.5 0.22	40 1.57	34.5 1.36	25 0.98	7 0.28	50 1.97	38 1.50	50 1.97	38 1.50	M6-20

