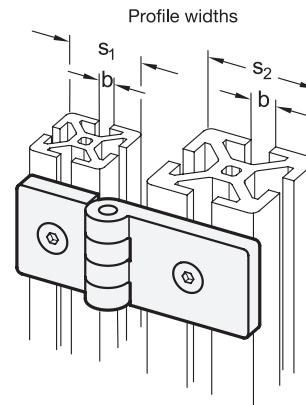
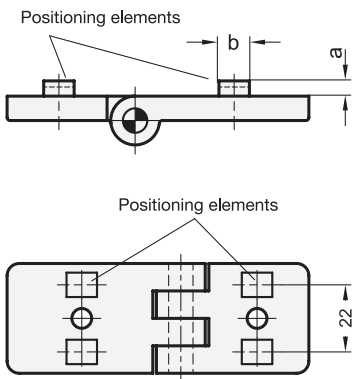




Positioning elements

Application example



Profile width	b Slot width	a
30 1.18	6 0.24	2 0.08
30 1.18	8 0.31	2 0.08
40 and 45 1.57 / 1.77	8 0.31	4 0.16
40 and 45 1.57 / 1.77	10 0.39	4 0.16
60 2.36	10 0.39	5 0.20
60 2.36	12 0.47	5 0.20

The positioning elements are clipped into the corresponding recesses of the hinge wing.