

GN 145.1

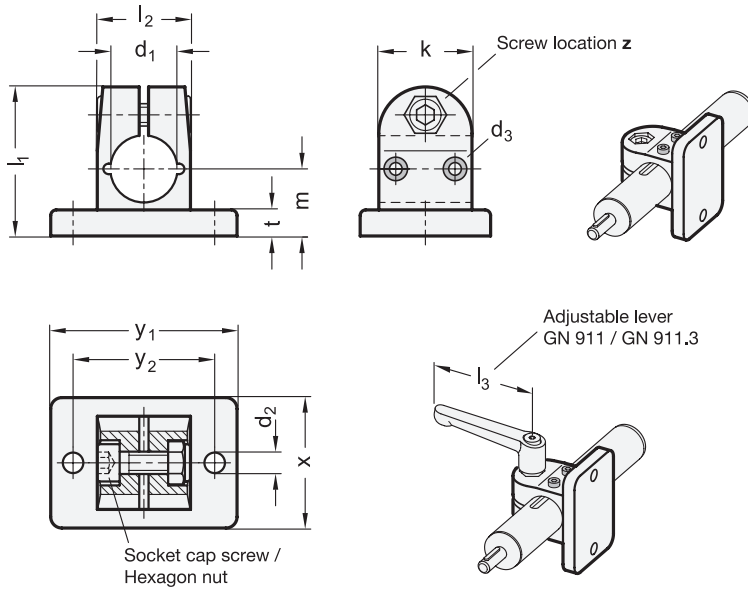
Aluminum / Stainless Steel

Flanged Linear Actuator Connectors

with 2 Mounting Holes



JW WINCO®
A Ganter Company



SS Stainless Steel

2 Identification no.

2 With stainless steel socket cap screw DIN 912

Metric table



d ₁ Bore		d ₂	d ₃ Mounting screws on the drive key	k Clamping length	l ₁	l ₂	m	t	x	y ₁	y ₂	z Screw location	Accessory Recommended lever for z			
Without sleeve bearing	With sleeve bearing												GN 911 for aluminum l ₃	GN 911.3 for stainless steel l ₃		
B 18*	G 18	5.5 0.22	M 3	25 0.98	40 1.57	25 0.98	18 0.71	7 0.28	35 1.38	50 1.97	38 1.50	M6-20	45 1.77	63 2.48	63 2.48	-

Dimensions in: millimeters - inches

* Only available in aluminum

Specification



- Body
Aluminum
Powder coated
Black, RAL 9005, textured finish **SW**
- Body
Stainless steel AISI CF-8 **NI**
- Matte shot-blasted finish
- Only with sleeve bearing
- Sleeve bearing
Plastic (PTFE)
- Socket cap screws DIN 912
Stainless steel AISI 304
- Hexagon nuts DIN 985
Stainless steel AISI 304
Self-locking via polyamide ring
- [RoHS compliant](#)

Accessory

- Adjustable levers GN 911
- Adjustable levers GN 911.3

On request

- Inch size bores

Information

GN 145.1 flanged linear actuator connectors are based on flanged connector clamps. The additionally provided mounting holes are used to connect to the drive key of a linear actuator. Bores with the designation "G" are equipped with sleeve bearings.

With the screw location z, the play of the guide bore d₁ can be adjusted or the linear actuator connectors can be clamped after adjustment.

For quick clamping without tools, the socket cap screw can be replaced by a GN 911 / GN 911.3 adjustable lever listed in the table as accessory.

see also...

- [Linear Actuators GN 291](#)
- [Linear Actuators GN 292](#)

How to order (Aluminum)

GN 145.1-B18-2-SW

1 Bore d₁

2 Identification no.

3 Finish

How to order (Stainless steel)

GN 145.1-G18-2-NI

1 Bore d₁

2 Identification no.

3 Material