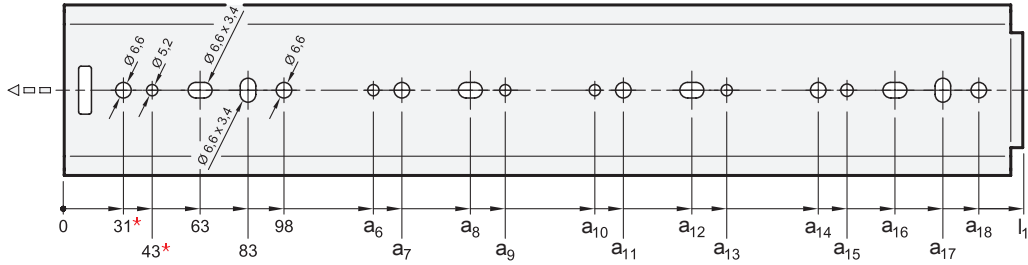


Mounting holes - outer slide



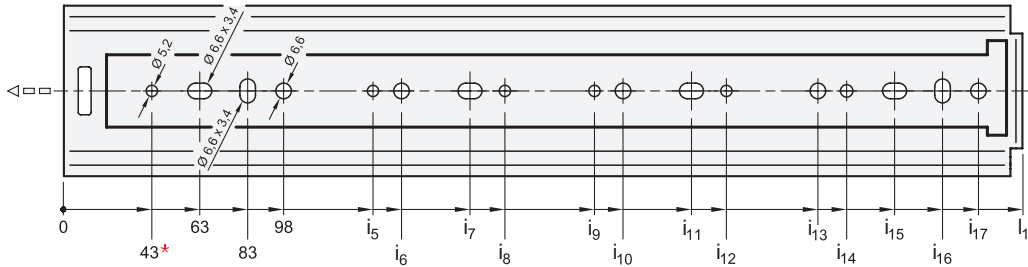
Metric table



Dimensions in: millimeters - inches

l_1	a_6	a_7	a_8	a_9	a_{10}	a_{11}	a_{12}	a_{13}	a_{14}	a_{15}	a_{16}	a_{17}	a_{18}
300 11.81	-	-	-	-	-	-	-	-	161 6.34	173 6.81	193 7.60	213 8.39	228 8.98
400 15.75	-	-	-	-	-	-	-	-	261 10.28	273 10.75	293 11.54	313 12.32	328 12.91
500 19.69	-	-	-	-	-	-	-	-	361 14.21	373 14.69	393 15.47	413 16.26	428 16.85
600 23.62	213 8.39	228 8.98	363 14.29	378 14.88	-	-	-	-	461 18.15	473 18.62	493 19.41	513 20.20	528 20.79
700 27.56	213 8.39	228 8.98	363 14.29	378 14.88	-	-	-	-	561 22.09	573 22.56	593 23.35	613 24.13	628 24.72
800 31.50	313 12.32	328 12.91	463 18.23	478 18.82	-	-	-	-	661 26.02	673 26.50	693 27.28	713 28.07	728 28.66
900 35.43	313 12.32	328 12.91	463 18.23	478 18.82	-	-	-	-	761 29.96	773 30.43	793 31.22	813 32.01	828 32.60
1000 39.37	413 16.26	428 16.85	563 22.17	578 22.76	-	-	-	-	861 33.90	873 34.37	893 35.16	913 35.94	928 36.54
1200 47.24	313 12.32	328 12.91	463 18.23	478 18.82	713 28.07	728 28.66	863 33.98	878 34.57	1061 41.77	1073 42.24	1093 43.03	1113 43.82	1128 44.41
1500 59.06	413 16.26	428 16.85	563 22.17	578 22.76	913 35.94	928 36.54	1063 41.85	1078 42.44	1361 53.58	1373 54.06	1393 54.84	1413 55.63	1428 56.22

Mounting holes - inner slide



Metric table



Dimensions in: millimeters - inches

l_1	i_5	i_6	i_7	i_8	i_9	i_{10}	i_{11}	i_{12}	i_{13}	i_{14}	i_{15}	i_{16}	i_{17}
300 11.81	-	-	-	-	-	-	-	-	-	173** 6.81	-	213 8.39	228 8.98
400 15.75	-	161 6.34	-	-	-	-	-	-	261 10.28	273 10.75	293 11.54	313 12.32	328 12.91
500 19.69	-	229 9.02	-	-	-	-	-	-	361 14.21	373 14.69	393 15.47	413 16.26	428 16.85
600 23.62	213 8.39	228 8.98	398 15.67	413 16.26	-	-	-	-	461 18.15	473 18.62	493 19.41	513 20.20	528 20.79
700 27.56	313 12.32	328 12.91	463 18.23	478 18.82	-	-	-	-	561 22.09	573 22.56	593 23.35	613 24.13	628 24.72
800 31.50	313 12.32	328 12.91	498 19.61	513 20.20	-	-	-	-	661 26.02	673 26.50	693 27.28	713 28.07	728 28.66
900 35.43	413 16.26	428 16.85	563 22.17	578 22.76	-	-	-	-	761 29.96	773 30.43	793 31.22	813 32.01	828 32.60
1000 39.37	413 16.26	428 16.85	598 23.54	613 24.13	-	-	-	-	861 33.90	873 34.37	893 35.16	913 35.94	928 36.54
1200 47.24	313 12.32	328 12.91	463 18.23	478 18.82	713 28.07	728 28.66	863 33.98	878 34.57	1061 41.77	1073 42.24	1093 43.03	1113 43.82	1128 44.41
1500 59.06	413 16.26	428 16.85	563 22.17	578 22.76	913 35.94	928 36.54	1063 41.85	1078 42.44	1361 53.58	1373 54.06	1393 54.84	1413 55.63	1428 56.22

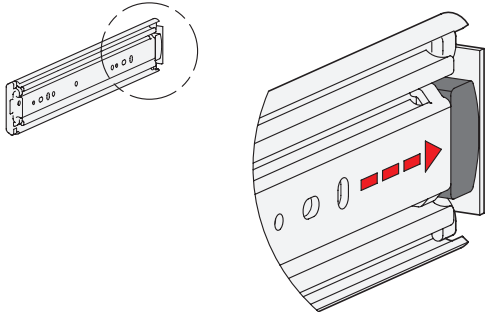
* Bores are only usable on type B and type K ** Bores are only usable on type B and type M

Fastening screws

For the said loading forces F_S to be absorbed reliably in the surrounding structure, all available through-holes of the outer and inner slide having a \varnothing of 6.6 mm must be used. Alternatively, holes with a \varnothing of 5.2 mm are available. The elongated holes, \varnothing 6.6 x 3.4 mm, facilitate adjustment during mounting when needed. Failure to use fastening screws reduces the load capacity. The following screws can be used for mounting:

Designation - standard		Outer slide	Inner slide
Socket button head screw	ISO 7380	M 5 / M 6	M 5 / M 6
Low head socket cap screw	DIN 7984 / DIN 6912	M 5	M 5

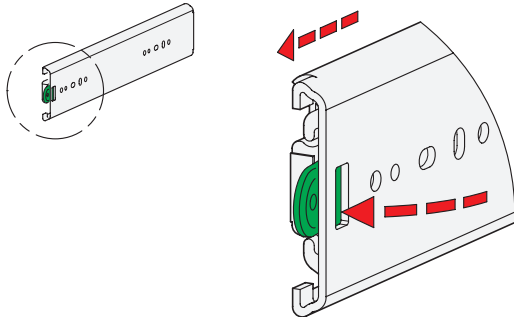
Type B with rubber stop



The rubber stops of type B dampen the impact of the slide in the respective end position. This feature minimizes noise development and increases the lifespan. Attached to the slides in a partially concealed, partially visible manner, the stops meet each of the requirements in regard to shape, material, and hardness.

If larger static or dynamic loads occur in the direction of extension, they should be absorbed by external stop elements.

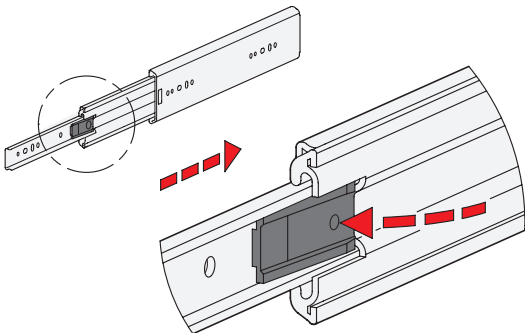
Type M with rubber stop, latch in back



Type M is used in applications in which the slide needs to be locked in the back end position. This feature prevents the slide from extending on its own, for example, due to a tilted position. If larger loads occur in the direction of extension in the latched position, they should be absorbed by external latch elements.

The latch mechanism locks into place in a spring-loaded opening of the outer slide in the closed state. Pressing the release lever releases the inner and middle slide for extension. Back in the back stop position, the mechanism locks into place automatically in the opening of the outer slide by moving over a ramp.

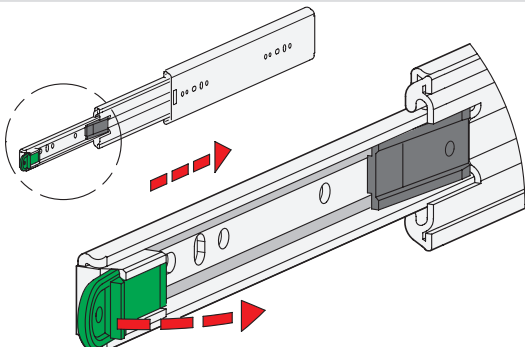
Type K with rubber stop, latch in front



Type K is used when the extension needs to stay in the front stop position for a certain amount of time. This feature allows maintenance work to be performed when the extension is expanded, for example. If larger loads occur in the latched position, they should be absorbed by external latch elements.

For the function to be activated, the slide has to be fully extended to the front, where it will automatically click into place through a pretensioned locking lever. Pressing the lever releases the slide, allowing slide to retract again.

Type Q with rubber stop, latch in back-front



Type Q unites the properties of types M and K. The inner and middle slide lock into place in the respective end position.

Unlike the release of type K, type Q is activated through an internal rod by a convenient "remote control." The green activation lever is pressed out, the locking lever activated, and the slide released for retraction.