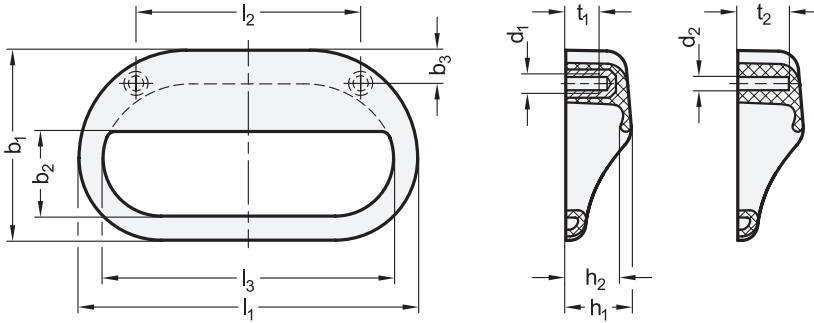


Metric



**elesa**  
Original design MFT

Metric table

Dimensions in: millimeters / inches

<sup>1</sup> l <sub>1</sub>	<sup>2</sup> d <sub>1</sub> Thread	<sup>2</sup> d <sub>2</sub> Bore	b <sub>1</sub>	b <sub>2</sub>	b <sub>3</sub>	h <sub>1</sub>	h <sub>2</sub>	l <sub>2</sub> ±0.5	l <sub>3</sub>	t <sub>1</sub>	t <sub>2</sub>
108 4.25	M 5	B 4.5	60 2.36	26.5 1.04	11 0.43	20.5 0.81	17.5 0.69	71 2.80	91 3.58	12 0.47	15.5 0.61

Specification <sup>3</sup>

Handle

- Plastic, Polyamide (PA)
- Glass fiber reinforced
- Operating temperature  
-22 °F to +212 °F (-30 °C to +100 °C)
- Black-gray, RAL 7021, matte finish ● **SG**

Tapped inserts

Brass

RoHS

Ledge handles EN 130.3 with bore hole B 4.5 are intended for mounting with self-tapping screws of thread size ST 4.8 such as DIN ISO 7049 pan head self-tapping screw.

see also...

	Page
<b>EN 130.2</b> Ledge Handles (Plastic)	QVX
<b>GN 730</b> Ledge Handles (Aluminum)	QVX
<b>GN 430</b> Ledge Handles (Aluminum)	QVX

Technical Information

Strength Values	QVX
Plastic Characteristics	QVX

How to order

<sup>1</sup>	Length l <sub>1</sub>
<sup>2</sup>	Bore d <sub>2</sub> (Thread d <sub>1</sub> )
<sup>3</sup>	Color

**EN 130.3-108- B4.5 -SG**

1.1  
1.2  
1.3  
1.4  
2.1  
2.2  
2.3  
2.4

