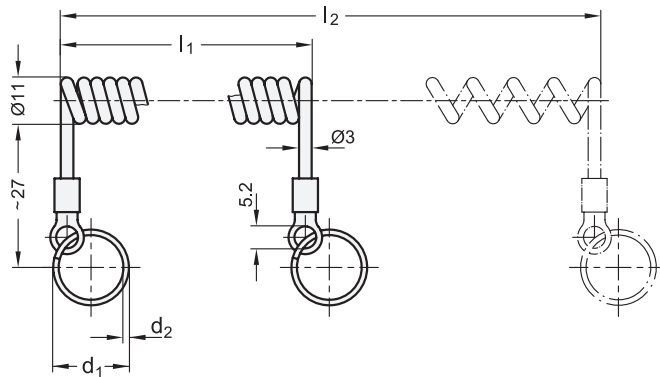


# GN 111.4 Spiral Retaining Cables

Plastic, with 2 Key Rings



## Metric table

1 l <sub>1</sub> ±3	2 d <sub>1</sub>	l <sub>2</sub> max. ≈	d <sub>2</sub>	Static load ≈		Suitable for ball lock pins and rapid release pins
				With key ring	Without key ring	
50 1.97	14* 0.55	250 9.84	1 0.04	50 N 11.24 lbf	60 N 13.49 lbf	* - GN 113.11, GN 113.12 for pin Ø 5, 6 mm - GN 113.1, GN 113.3, GN 113.4, GN 113.7, GN 113.8, GN 113.9, GN 113.10, GN 214.2, GN 214.3, GN 214.6 for pin Ø 5, 6, 8 mm - GN 113.5, GN 113.6, GN 114.2, GN 114.3, GN 114.6, GN 124.1, GN 124.2 for all pins ** - GN 113.11, GN 113.12, GN 314 for pin Ø 8, 10, 12 mm - GN 113.1, GN 113.3, GN 113.4, GN 113.7, GN 113.8, GN 113.9, GN 113.10, GN 214.2, GN 214.3, GN 214.6 for pin Ø 10, 12, 16, 20, 25 mm *** - GN 113.11, GN 113.12, GN 314 for pin Ø 16, 20, 25 mm
50 1.97	18** 0.71	250 9.84	1.3 0.05	60 N 13.49 lbf	60 N 13.49 lbf	
50 1.97	24*** 0.94	250 9.84	1.5 0.06	60 N 13.49 lbf	60 N 13.49 lbf	
100 3.94	14* 0.55	500 19.69	1 0.04	50 N 11.24 lbf	60 N 13.49 lbf	
100 3.94	18** 0.71	500 19.69	1.3 0.05	60 N 13.49 lbf	60 N 13.49 lbf	
100 3.94	24*** 0.94	500 19.69	1.5 0.06	60 N 13.49 lbf	60 N 13.49 lbf	
200 7.87	14* 0.55	1000 39.37	1 0.04	50 N 11.24 lbf	60 N 13.49 lbf	
200 7.87	18** 0.71	1000 39.37	1.3 0.05	60 N 13.49 lbf	60 N 13.49 lbf	
200 7.87	24*** 0.94	1000 39.37	1.5 0.06	60 N 13.49 lbf	60 N 13.49 lbf	

## Specification

- Spiral retaining cable  
Plastic (Polyurethane PUR), black
- Retaining loop  
Copper, tin-plated
- Key rings  
Stainless steel  
European Standard No. 1.4310 (AISI 301)
- RoHS compliant

## Accessory

- Key rings GN 111.3

## Information

GN 111.4 spiral retaining cables are used in connection with lightweight parts, such as rapid release pins and ball lock pins.

They are characterized by a large achievable "usable length" l<sub>2</sub>.

The key rings are supplied mounted. Both rings have the same Ø d<sub>1</sub>.

The load values given in the table are non-binding guide values and rule out any liability.

see also...

- Retaining Cables GN 111.2

How to order	
1	Length l <sub>1</sub>
2	Diameter d <sub>1</sub>

GN 111.4-200-18